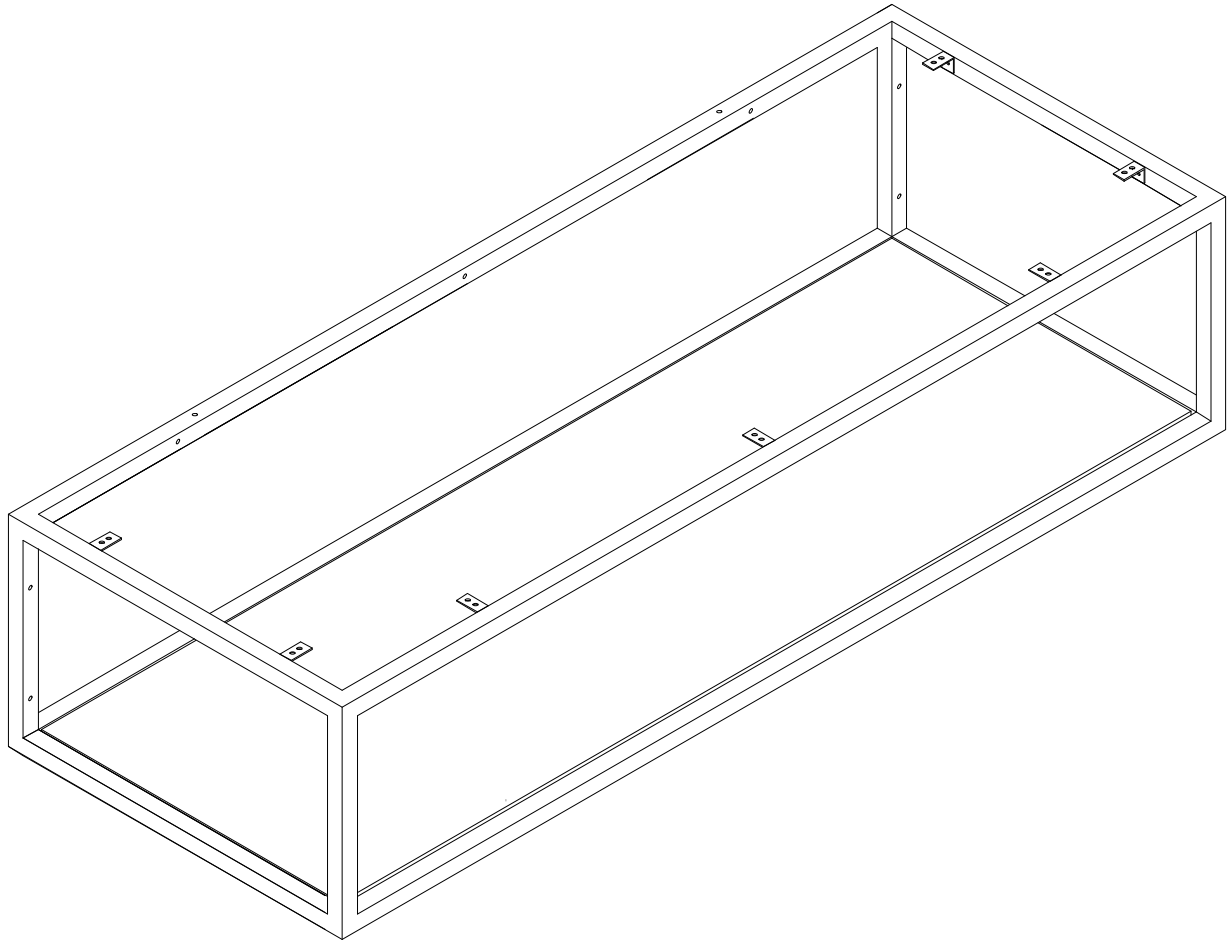


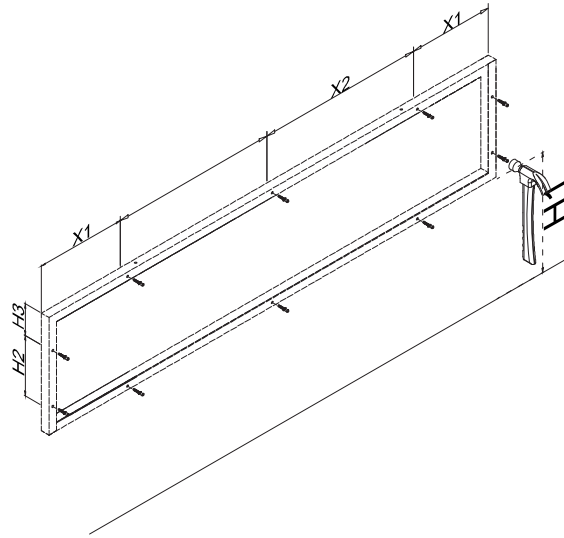
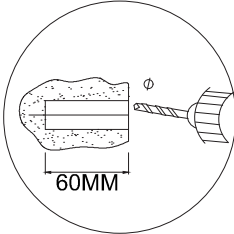
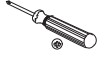


**SAT**

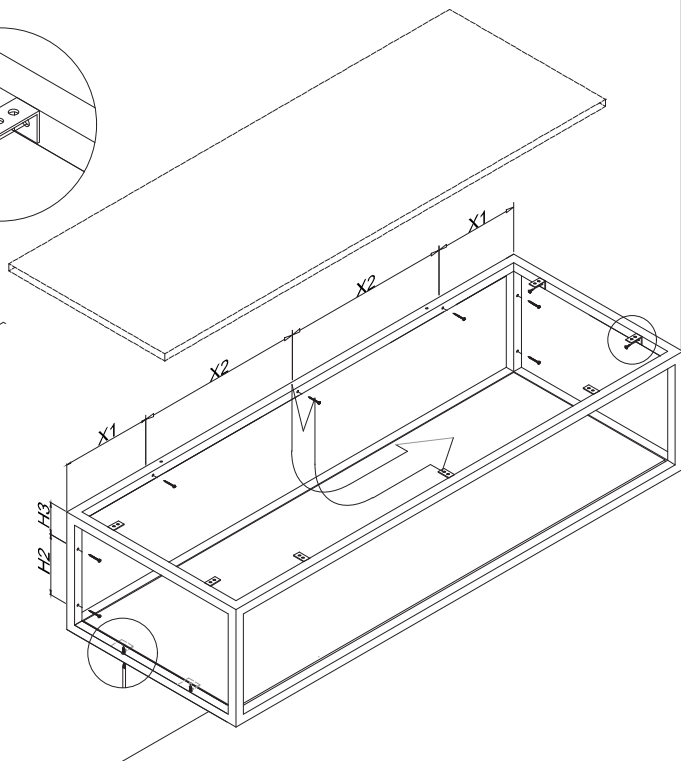
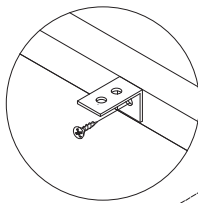
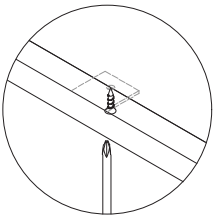
**BWAY60FRAME**  
**BWAY80FRAME**  
**BWAY100FRAME**  
**BWAY120FRAME**



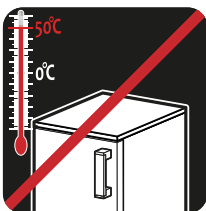
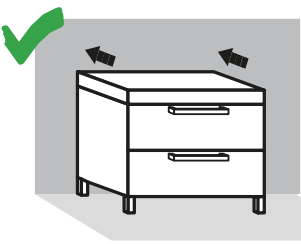
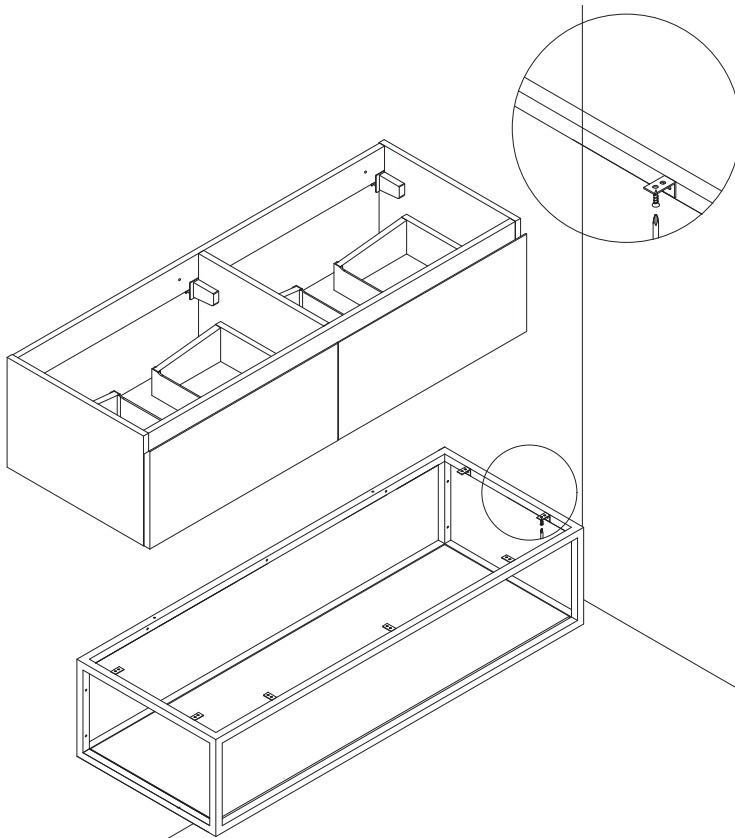
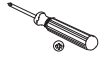
1



2



3



SAT® is registered trademark of



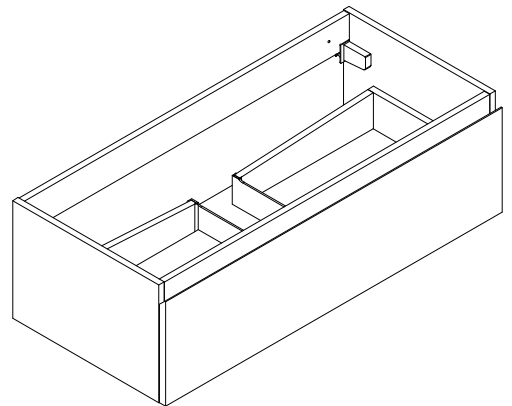
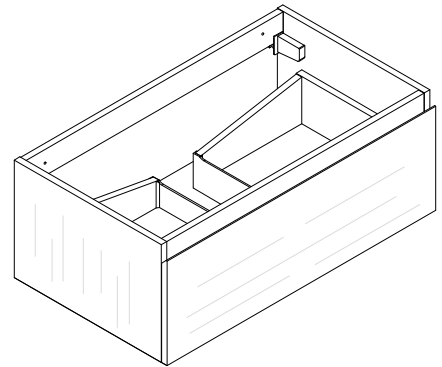
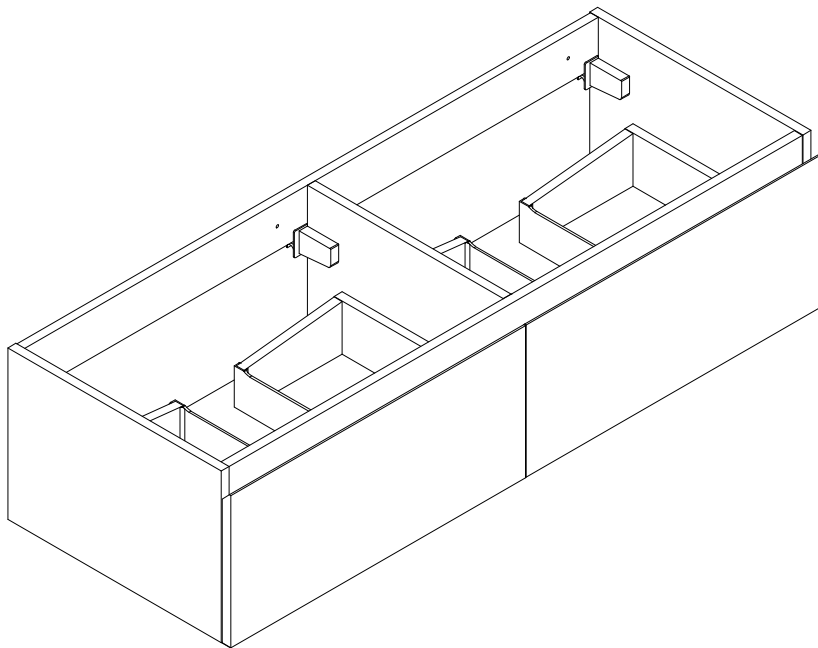
**Swiss  
Aqua  
Technologies**

**Swiss Aqua Technologies AG**  
Gewerbstrasse 9, 6330 Cham, Switzerland  
[www.swatec.ch](http://www.swatec.ch)  
Imported by SIKO KOUPELNY a.s.  
Made in P.R.C.

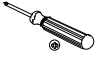
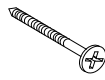


**SAT**

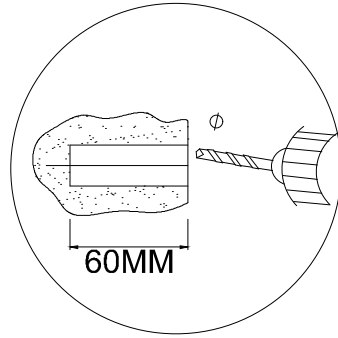
**BWAY60W**  
**BWAY600AK**  
**BWAY80W**  
**BWAY800AK**  
**BWAY100W**  
**BWAY1000AK**  
**BWAY120W**  
**BWAY1200AK**



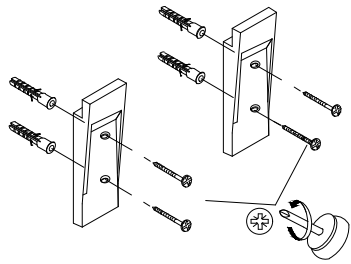
1



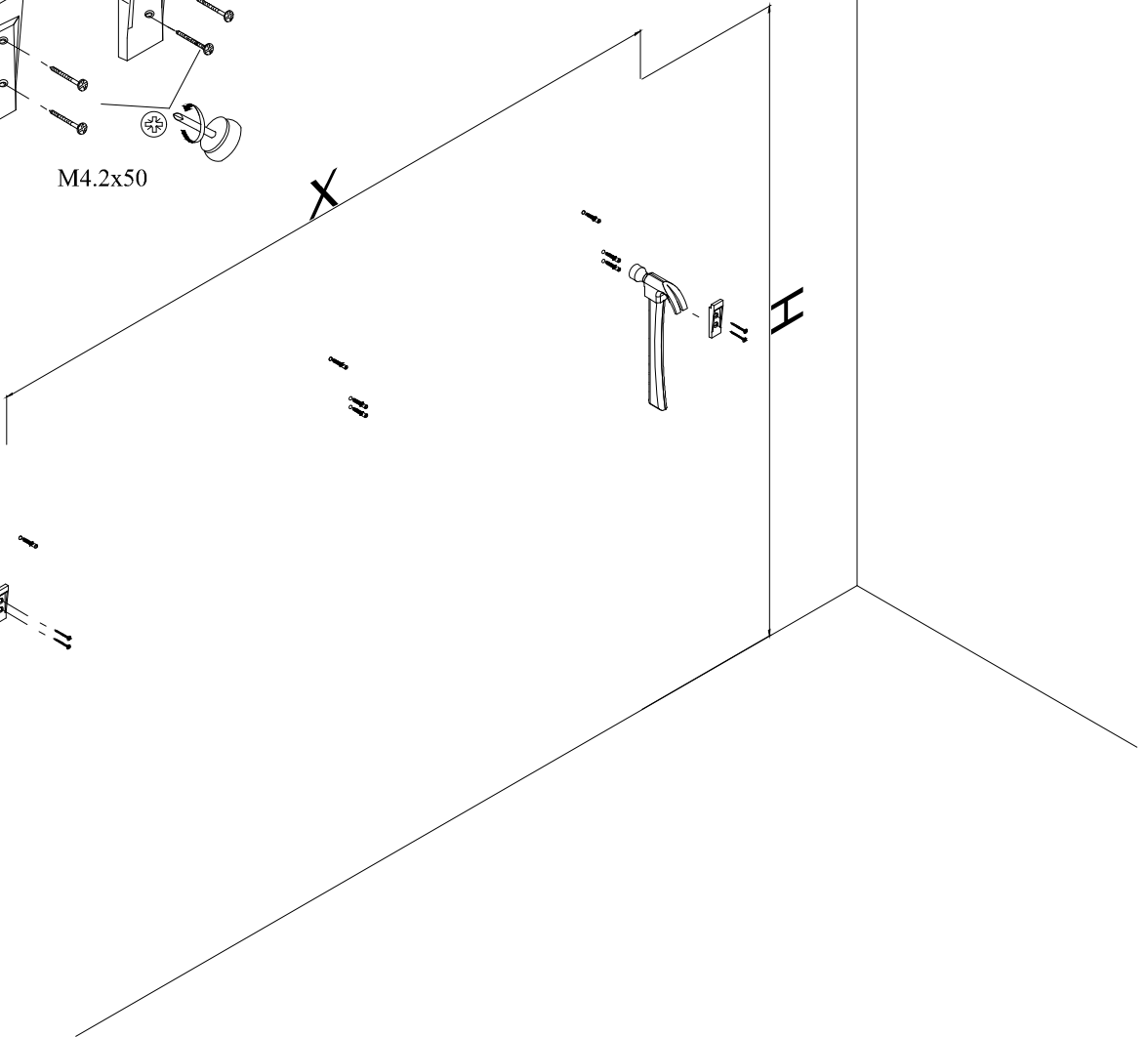
20mm

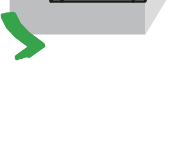
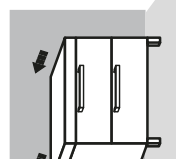
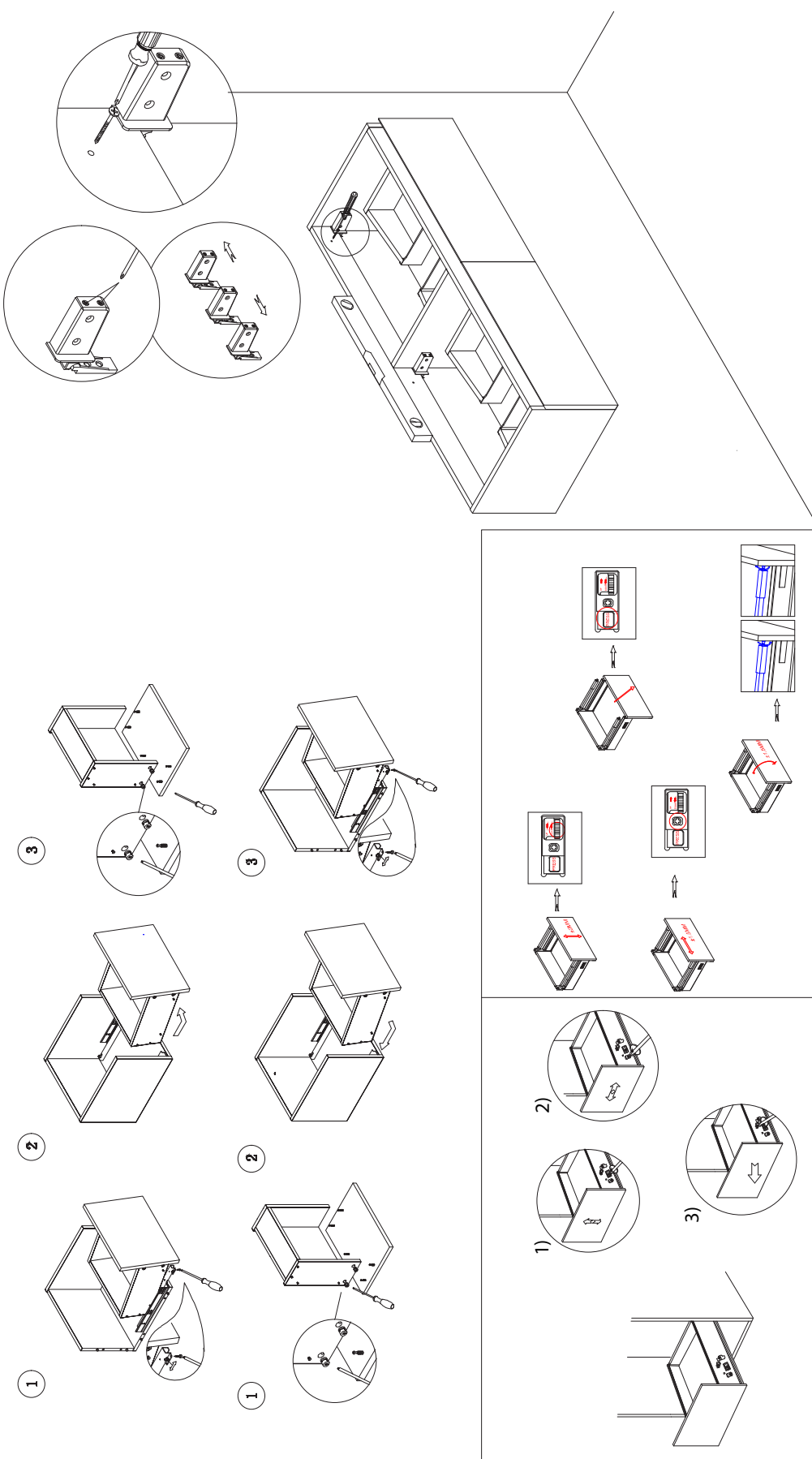


60MM



M4.2x50





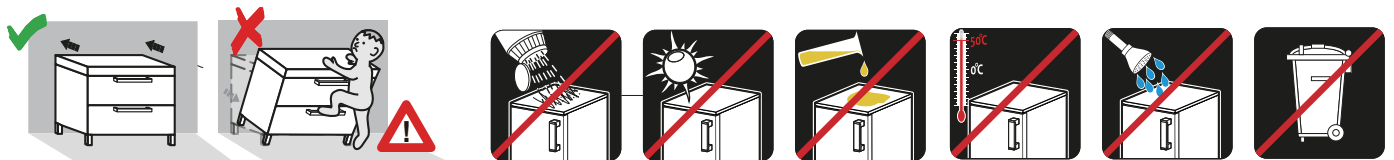
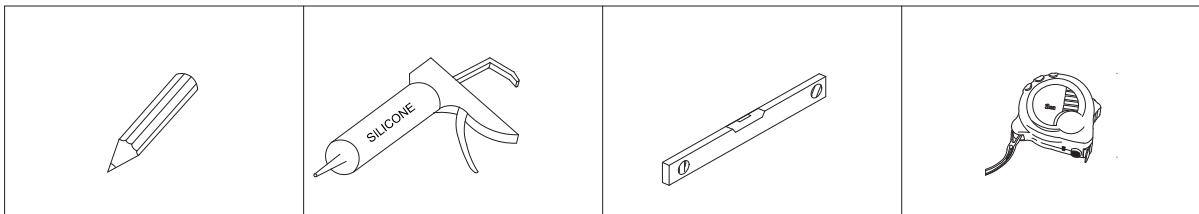
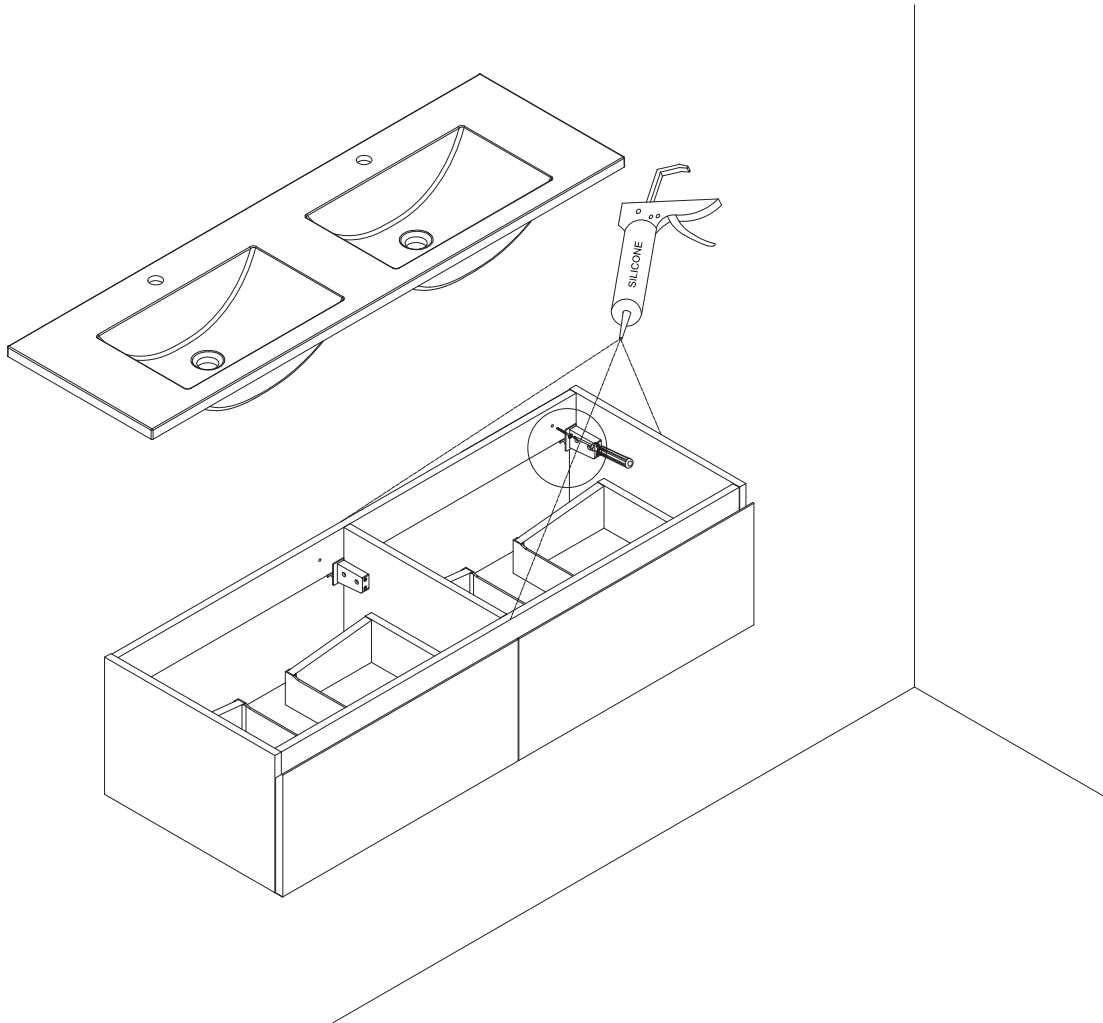
SAT® is registered trademark of



**Swiss  
Aqua  
Technologies**

**Swiss Aqua Technologies AG**  
Gewerbstrasse 9, 6330 Cham, Switzerland  
[www.swatec.ch](http://www.swatec.ch)  
Imported by SIKO KOUPELNY a.s.  
Made in P.R.C.





SAT® is registered trademark of

