



SATBSFEEL271/C
SATBSFEEL285/C
SATBSFEEL222/C
SATBSFEEL268/C



SATBSFEEL271



SATBSFEEL271C



SATBSFEEL285



SATBSFEEL285C



SATBSFEEL222



SATBSFEEL222C



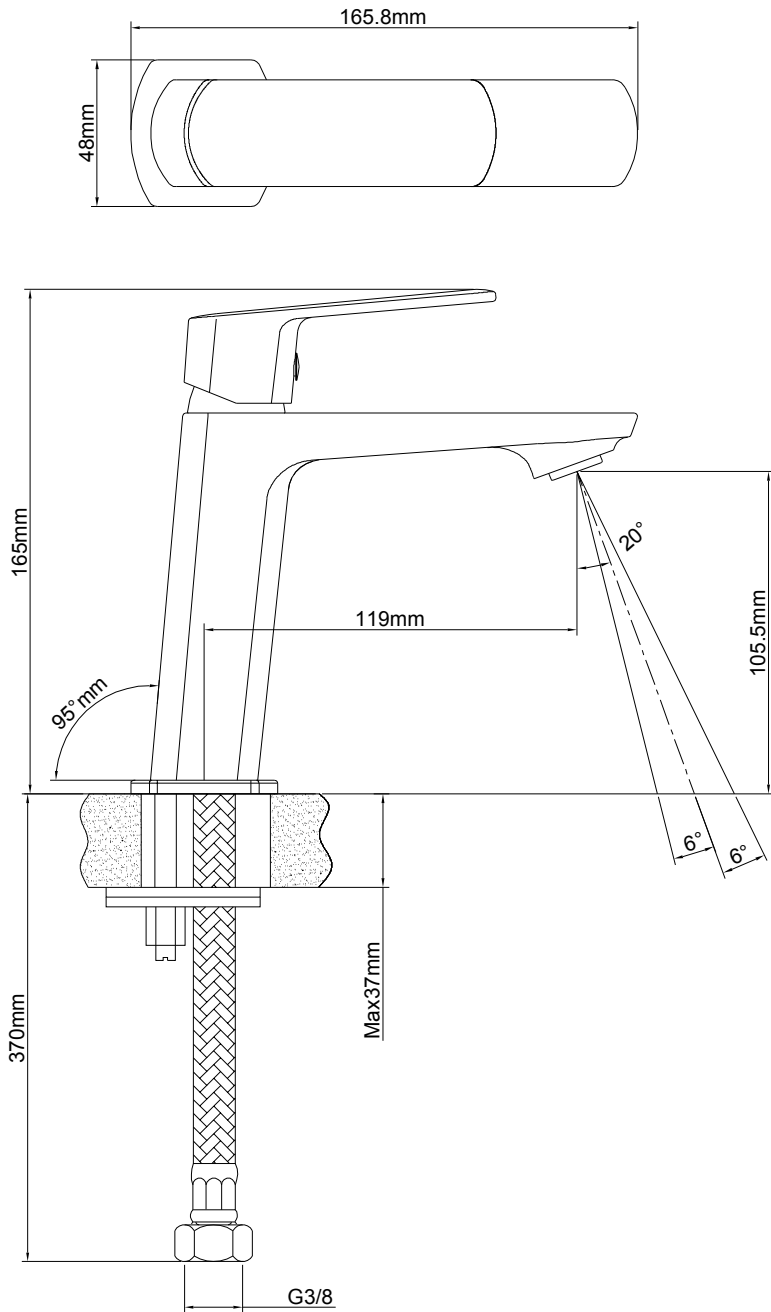
SATBSFEEL268



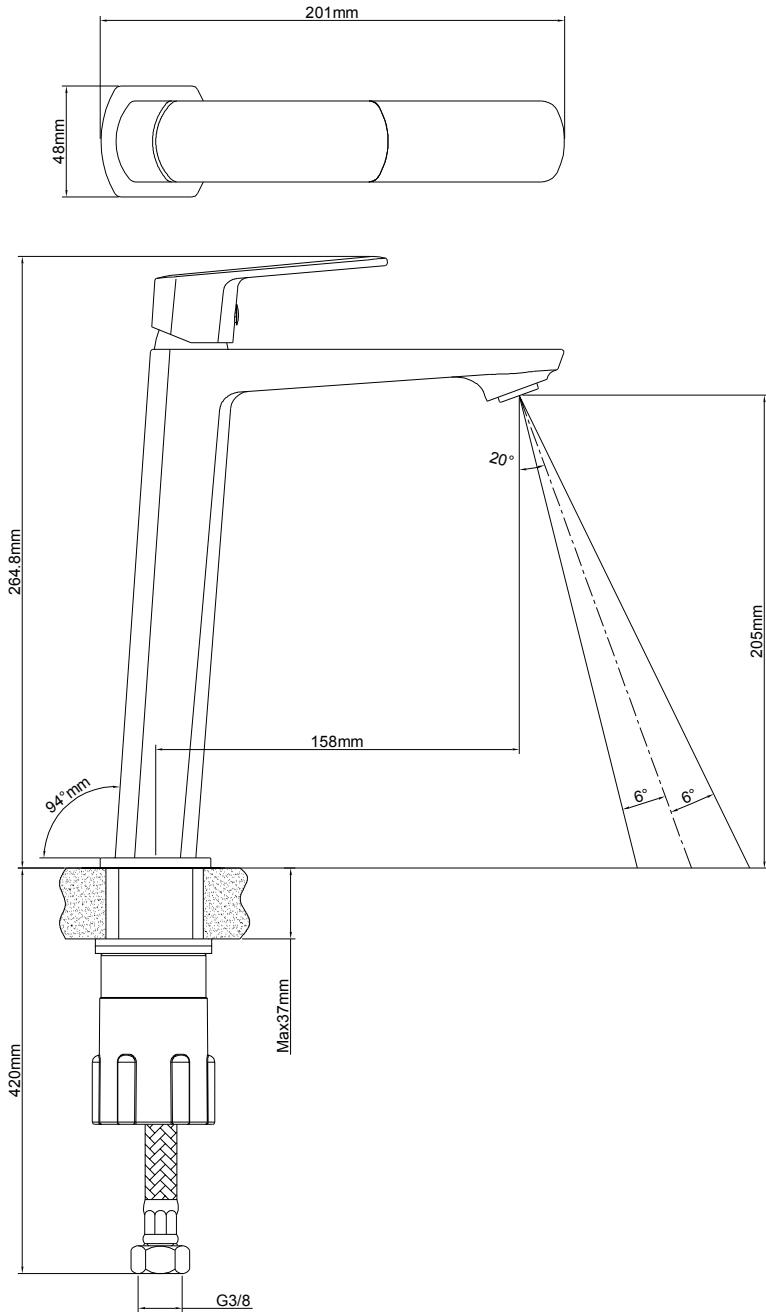
SATBSFEEL268C



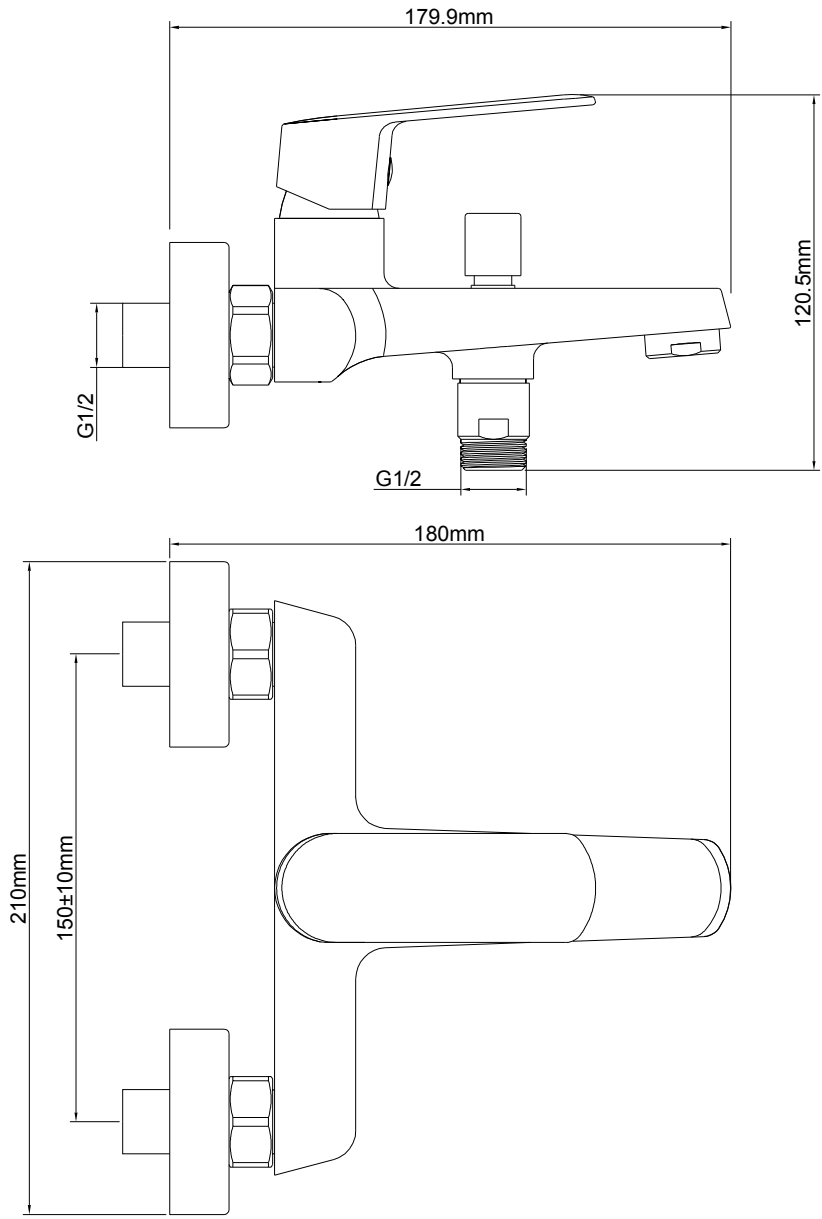
SATBSFEEL271/SATBSFEEL271C



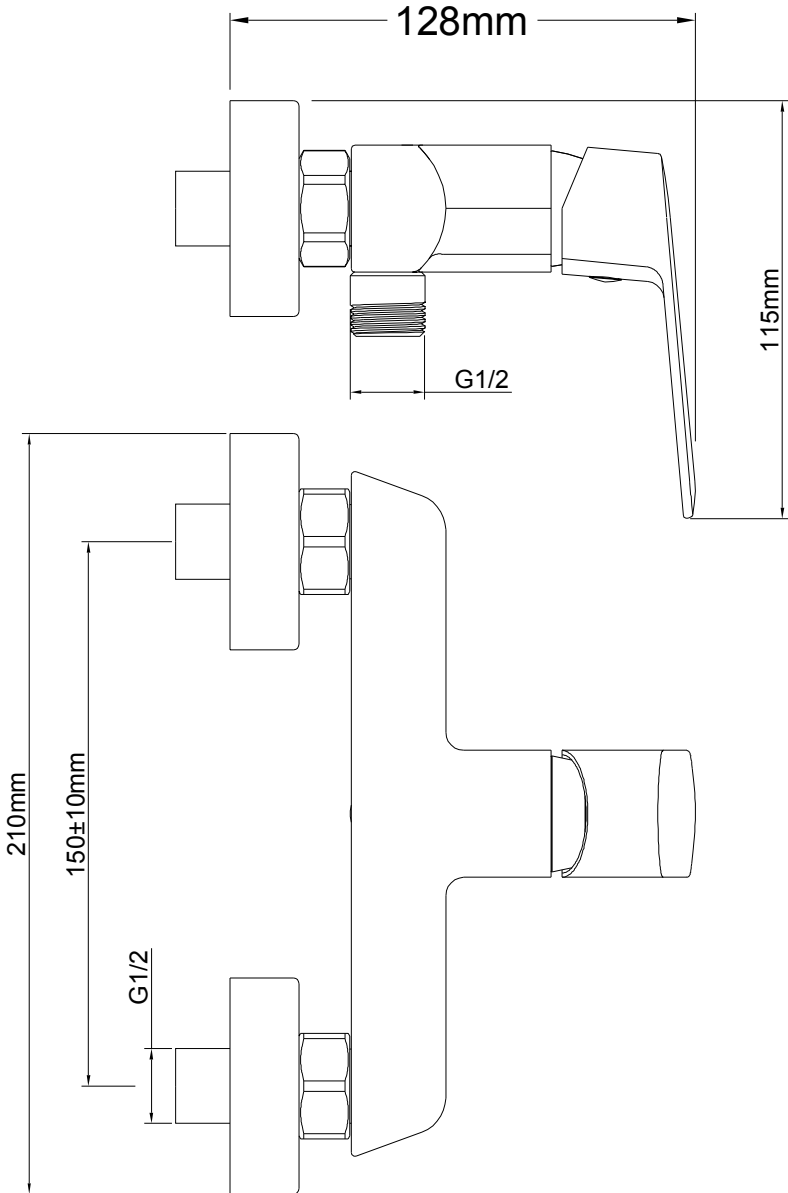
SATBSFEEL285/SATBSFFEEL285C



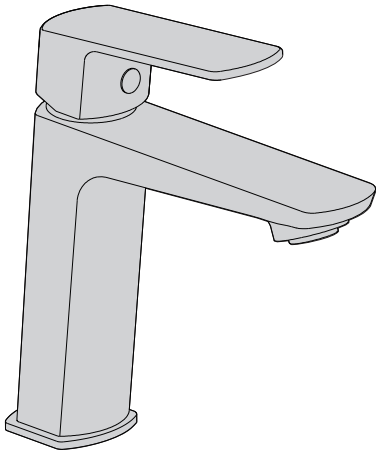
SATBSFEEL222/SATBSFEEL222C



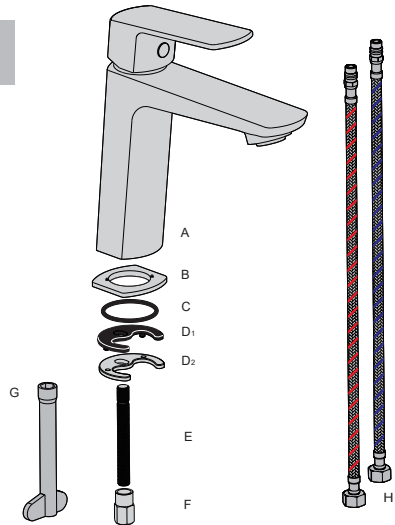
SATBSFEEL268/SATBSFFEEL268C



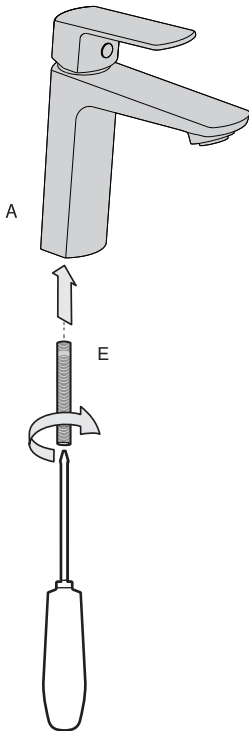
SATBSFEEL271/SATBSFEEL271C



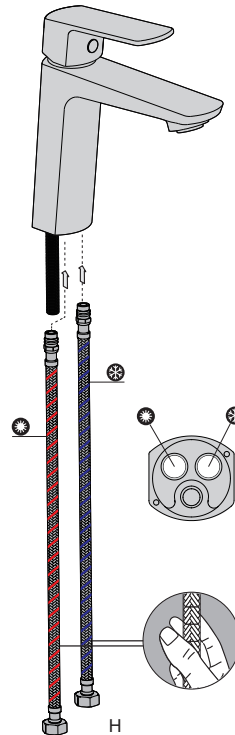
1



2

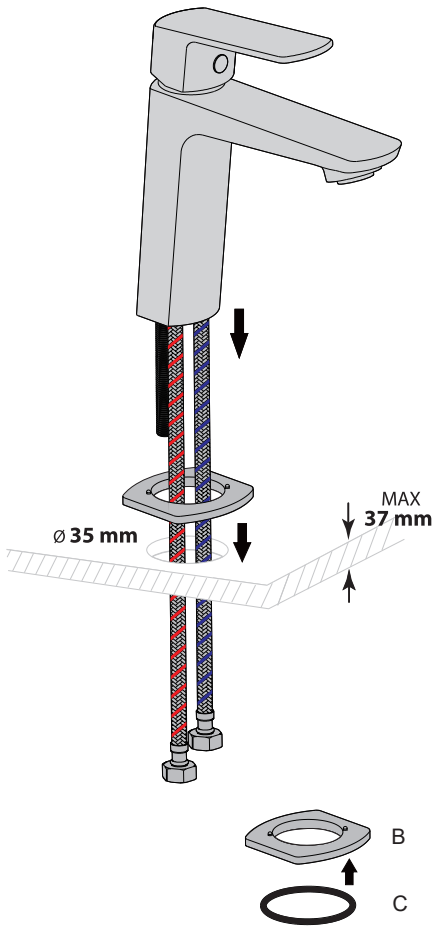


3

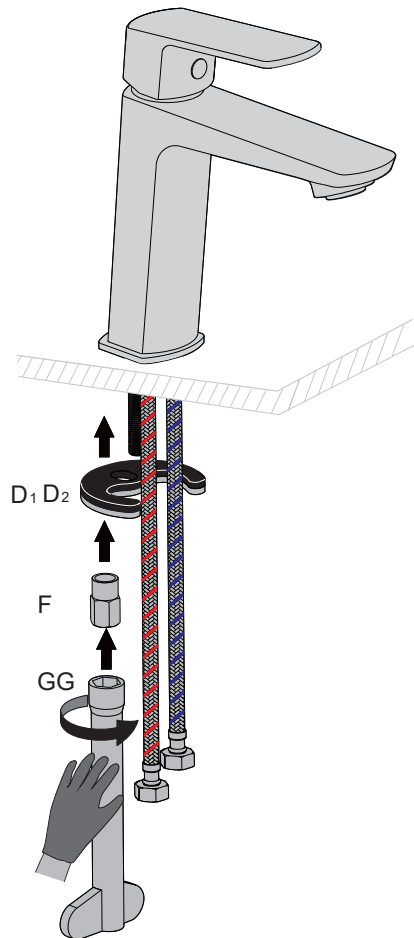


SATBSFEEL271/SATBSFEEL271C

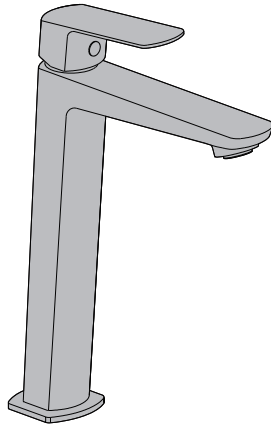
4



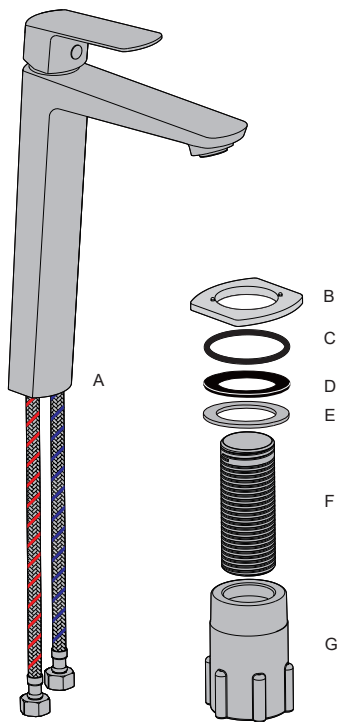
5



SATBSFEEL285/SATBSFEEL285C

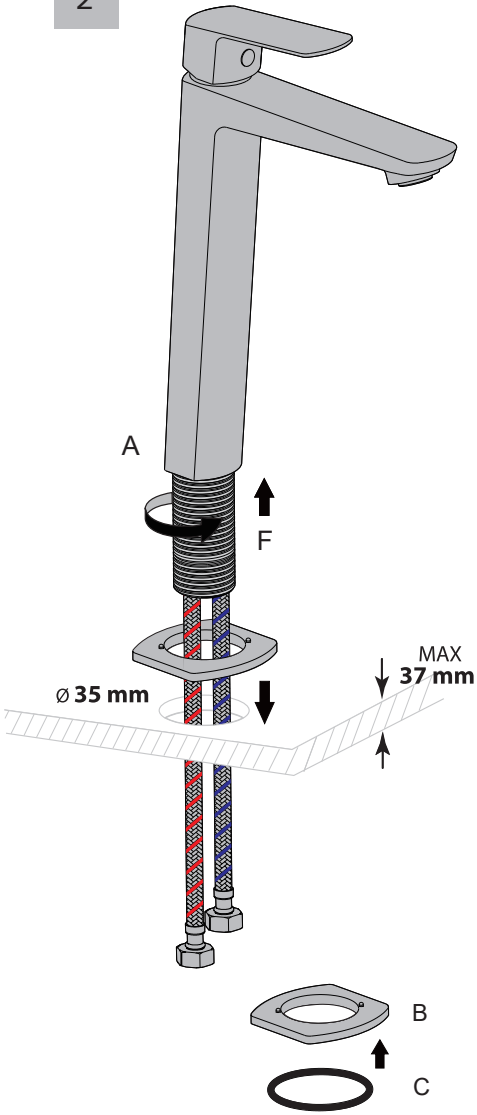


1

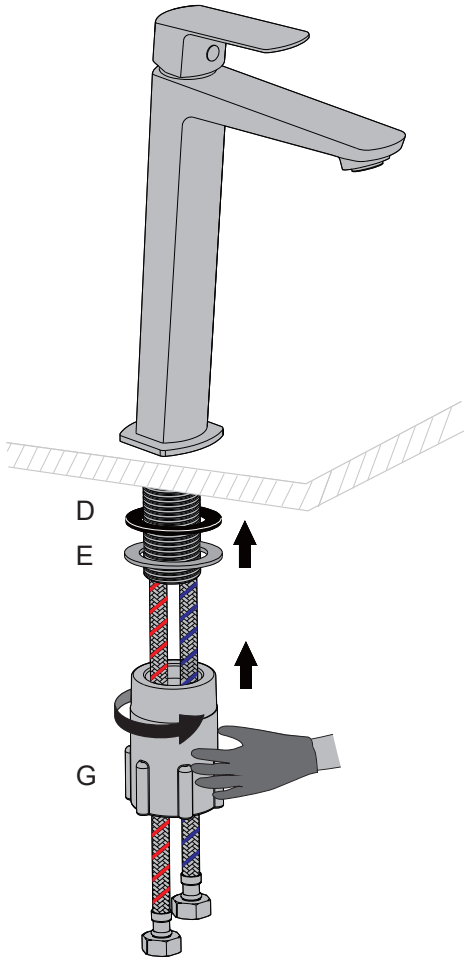


SATBSFEEL285/SATBSFEEL285C

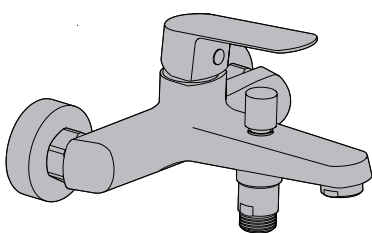
2



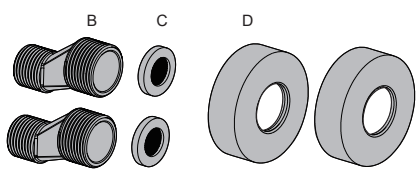
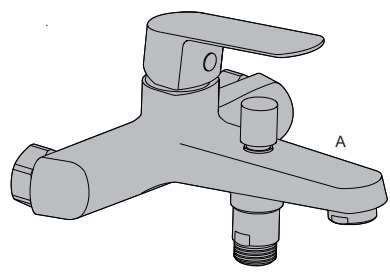
3



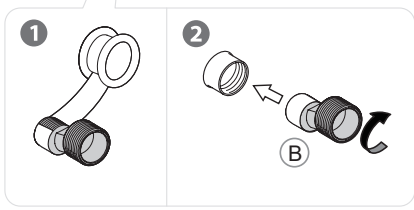
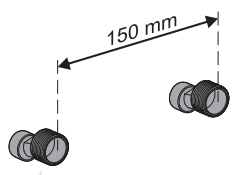
SATBSFEEL222/SATBSFEEL222C



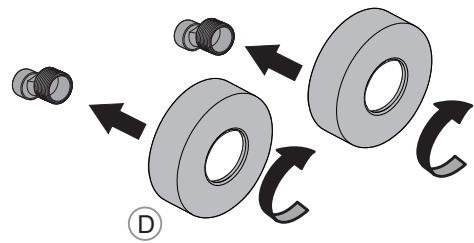
1



2

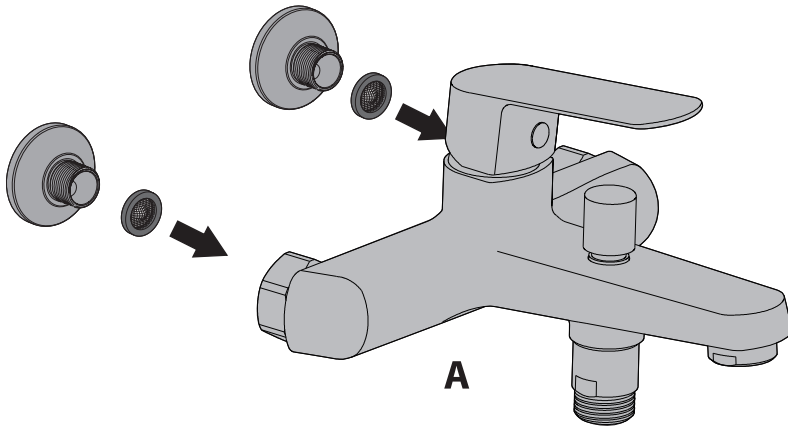


3

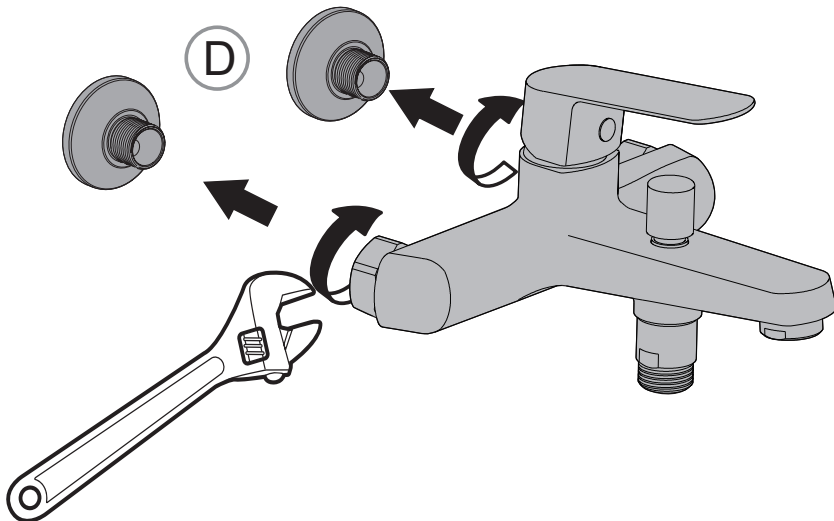


SATBSFEEL222/SATBSFEEL222C

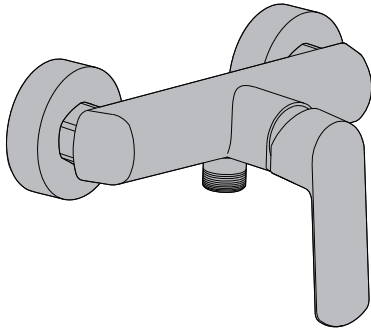
4



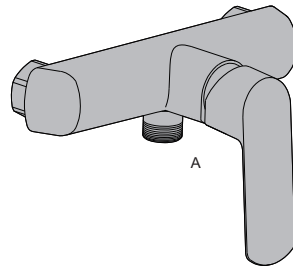
5



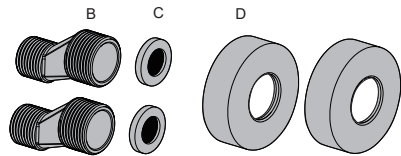
SATBSFEEL268/SATBSFEEL268C



1



A

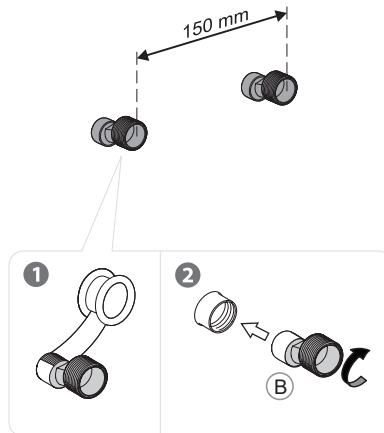


B

C

D

2



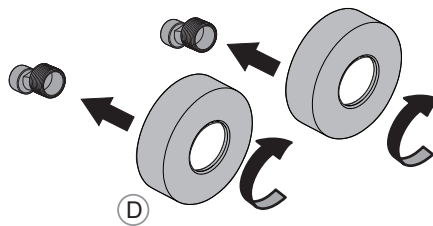
150 mm

1

2

B

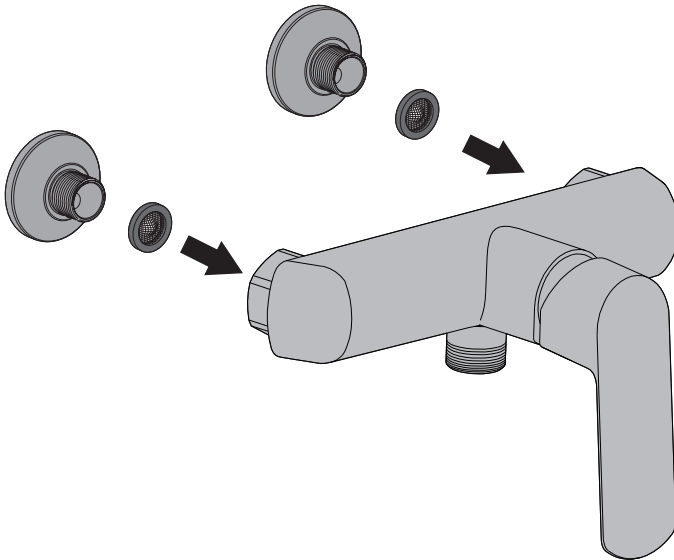
3



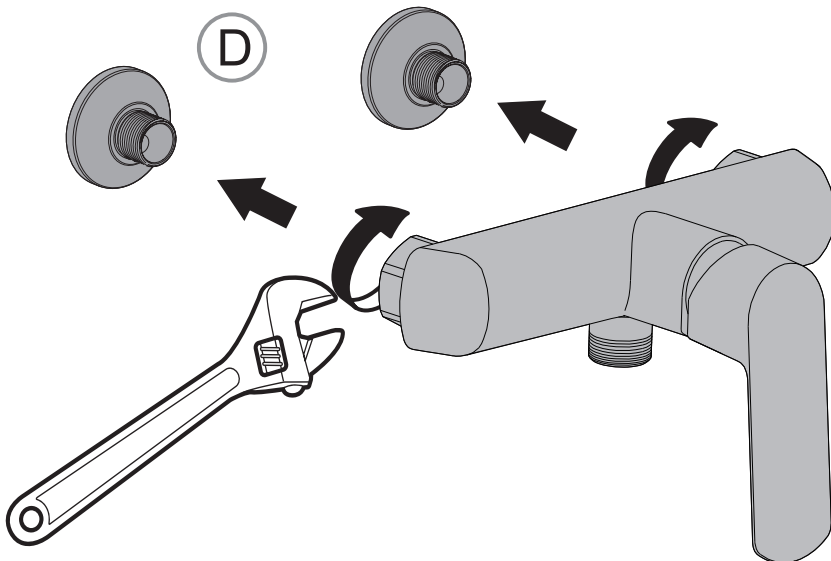
D

SATBSFEEL268/SATBSFEEL268C

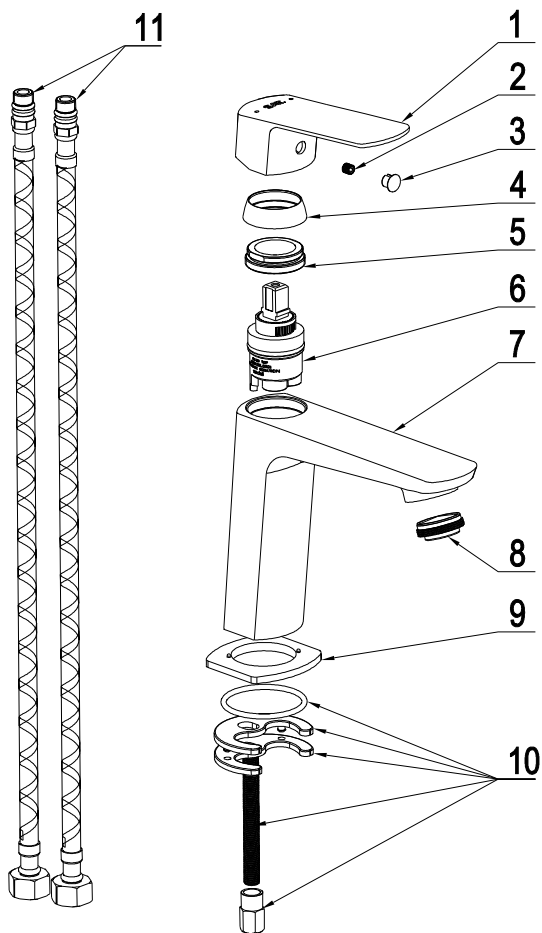
4



5



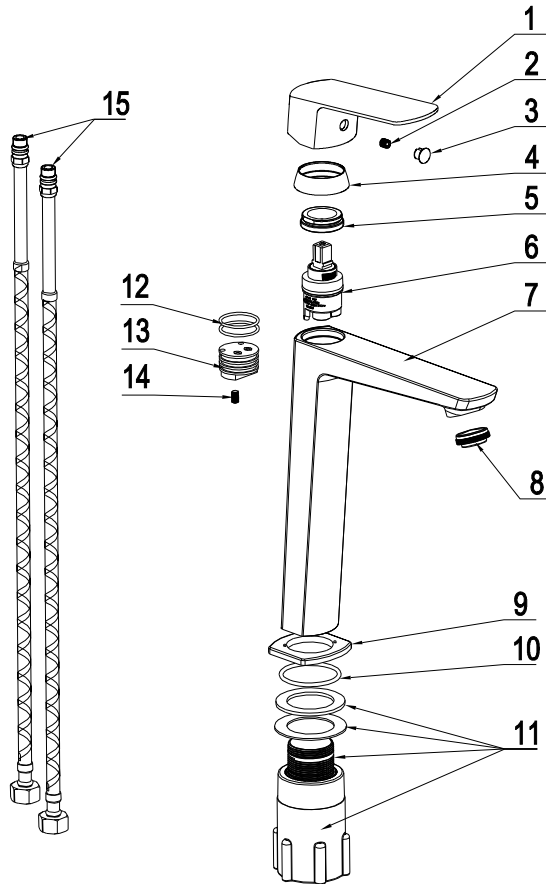
SATBSFEEL271/SATBSFEEL271C



| | |
|-----|------------------|
| 1-3 | NDSATFEELPAKA |
| 4 | NDSATFEEL2714 |
| 5 | NDSATFEEL2715 |
| 6 | NDSATFEEL2716 |
| 8 | NDSATFEEL271PERL |
| 9 | NDSATFEEL2719 |
| 10 | NDSATFEEL27110 |

| | |
|-----|------------------|
| 1-3 | NDSATFEELPAKAC |
| 4 | NDSATFEEL2714C |
| 5 | NDSATFEEL2715 |
| 6 | NDSATFEEL2716 |
| 8 | NDSATFEEL271PERL |
| 9 | NDSATFEEL2719C |
| 10 | NDSATFEEL27110 |

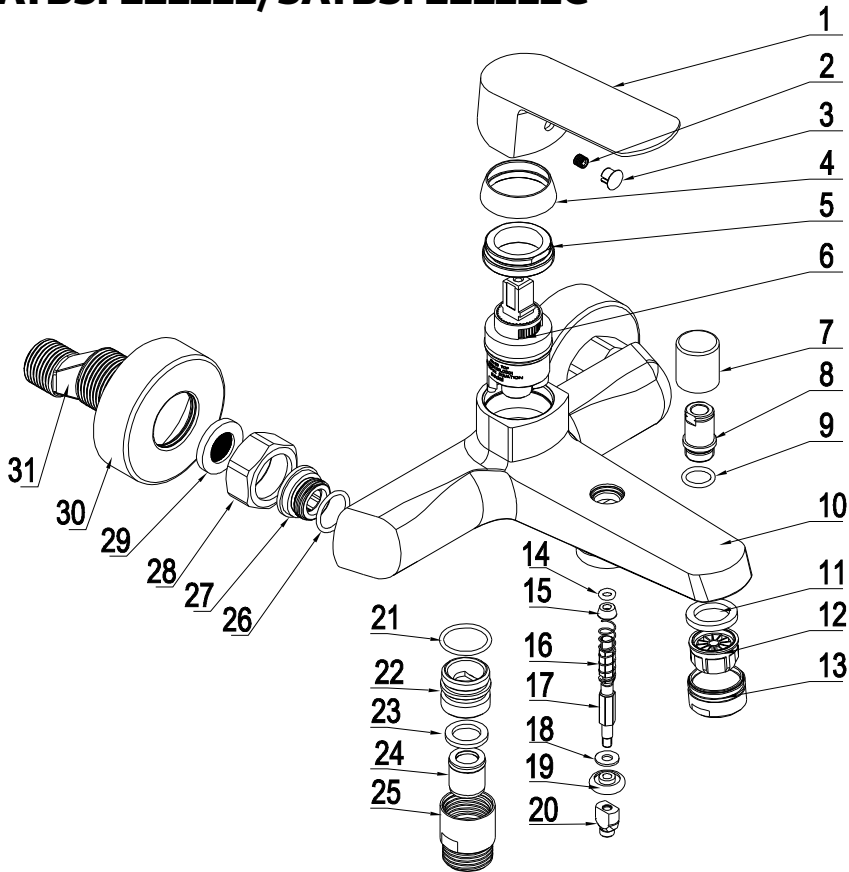
SATBSFEEL285/SATBSFEEL285C



| | |
|-------|------------------|
| 1-3 | NDSATFEELPAKA |
| 4 | NDSATFEEL2714 |
| 5 | NDSATFEEL2715 |
| 6 | NDSATFEEL2716 |
| 8 | NDSATFEEL271PERL |
| 9 | NDSATFEEL2719 |
| 10 | NDSATFEEL28510 |
| 11 | NDSATFEEL28511 |
| 12-14 | NDSATFEEL28513 |

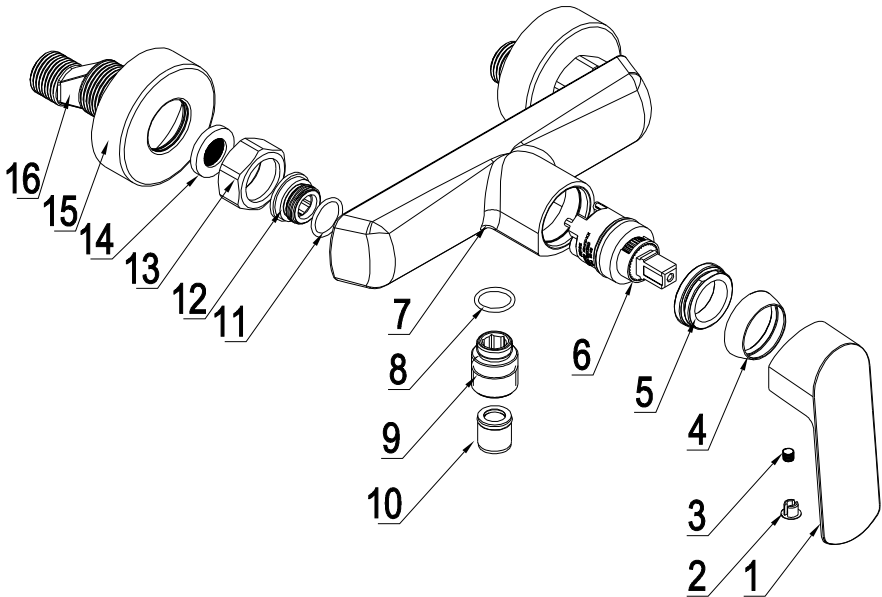
| | |
|-------|------------------|
| 1-3 | NDSATFEELPAKAC |
| 4 | NDSATFEEL2714C |
| 5 | NDSATFEEL2715 |
| 6 | NDSATFEEL2716 |
| 8 | NDSATFEEL271PERL |
| 9 | NDSATFEEL2719C |
| 10 | NDSATFEEL28510 |
| 11 | NDSATFEEL28511 |
| 12-14 | NDSATFEEL28513 |

SATBSFEEL222/SATBSFEEL222C



| | | | |
|------------|------------------|------------|-------------------|
| 1-3 | NDSATFEELPAKA2 | 1-3 | NDSATFEELPAKA2C |
| 4 | NDSATFEEL2224 | 4 | NDSATFEEL2224C |
| 5 | NDSATFEEL2225 | 5 | NDSATFEEL2225 |
| 6 | NDSATFEEL2226 | 6 | NDSATFEEL2226 |
| 7-9, 14-20 | NDSATFEEL222PREP | 7-9, 14-20 | NDSATFEEL222PREPC |
| 11-13 | NDSATFEEL222PERL | 11-13 | NDSATFEEL222PERLC |
| 21-25 | NDSATFEEL22225 | 21-25 | NDSATFEEL22225C |
| 26-28 | NDSATFEEL22228 | 26-28 | NDSATFEEL22228C |
| 29-31 | NDSATFEEL22230 | 29-31 | NDSATFEEL22230C |

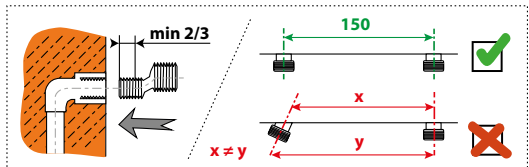
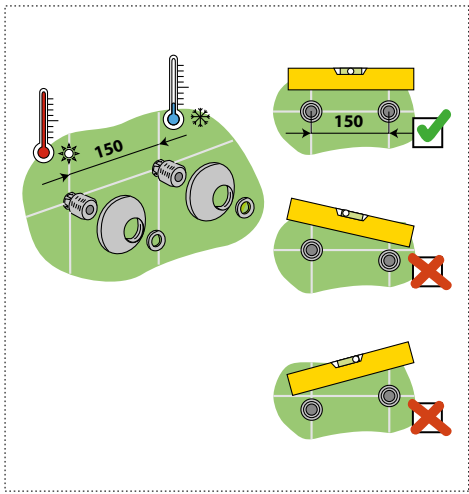
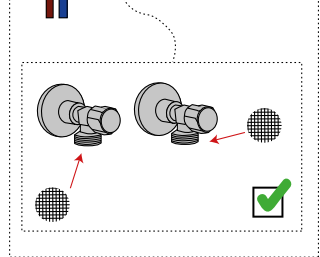
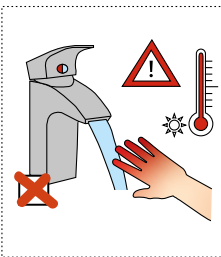
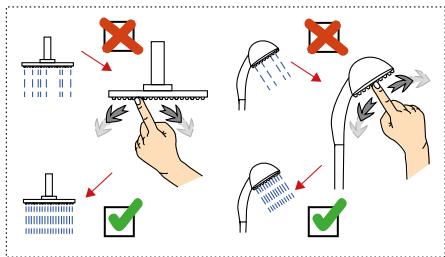
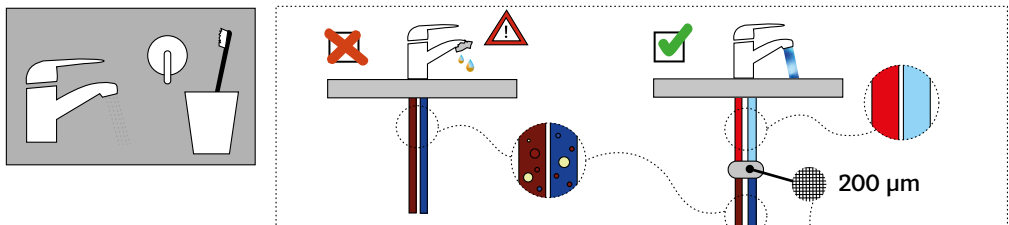
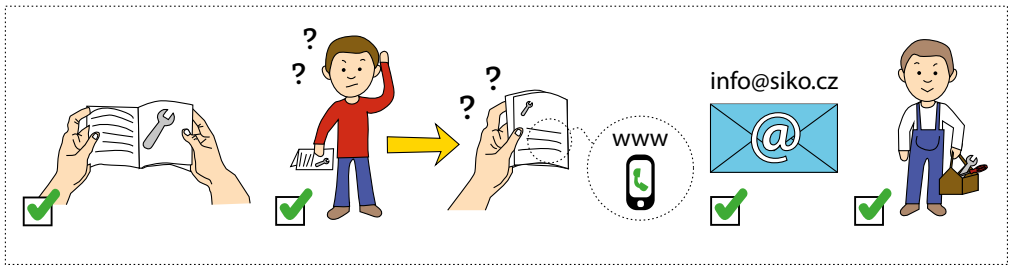
SATBSFEEL268/SATBSFEEL268C



| | |
|-------|----------------|
| 1-3 | NDSATFEELPAKA2 |
| 4 | NDSATFEEL2224 |
| 5 | NDSATFEEL2225 |
| 6 | NDSATFEEL2226 |
| 8-10 | NDSATFEEL26810 |
| 11-14 | NDSATFEEL22228 |
| 14-16 | NDSATFEEL22230 |

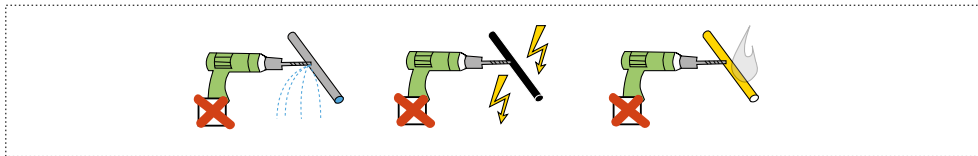
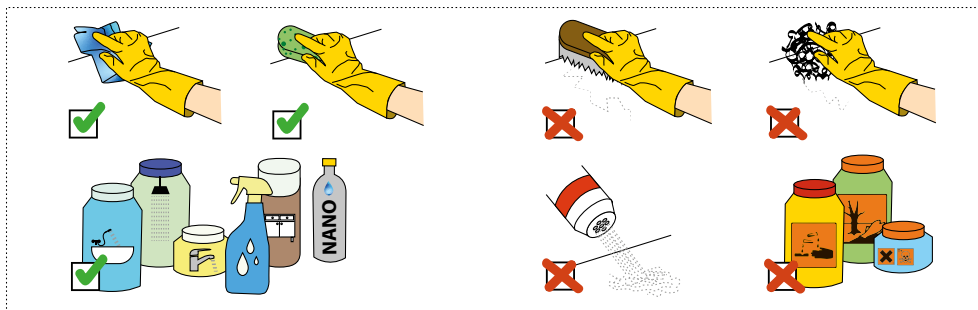
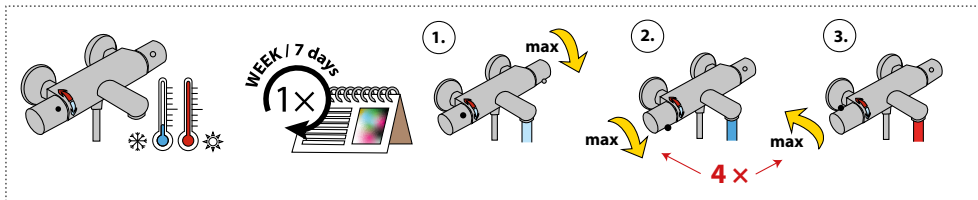
| | |
|-------|-----------------|
| 1-3 | NDSATFEELPAKA2C |
| 4 | NDSATFEEL2224C |
| 5 | NDSATFEEL2225 |
| 6 | NDSATFEEL2226 |
| 8-10 | NDSATFEEL26810C |
| 11-14 | NDSATFEEL22228C |
| 14-16 | NDSATFEEL22230C |

SATBSFEEL271/SATBSFEEL271C/SATBSFEEL285/SATBSFEEL285C/
 SATBSFEEL222/SATBSFEEL222C/SATBSFEEL268/SATBSFEEL268C



| | | | | |
|--|----------|--------------|-------------------------|---------------------|
| | P | P bar | max 10,0 min 1,0 | 5 ✓ |
| | T | C° | max 80° | 65° 40° ✓ |

SATBSFEEL271/SATBSFEEL271C/SATBSFEEL285/SATBSFEEL285C/
 SATBSFEEL222/SATBSFEEL222C/SATBSFEEL268/SATBSFEEL268C



SAT® is registered trademark of



**Swiss
Aqua
Technologies**

Swiss Aqua Technologies AG
Gewerbstrasse 9, 6330 Cham, Switzerland
www.swatec.ch
Imported by SIKO KOUPELNY a.s.
Made in P.R.C.