

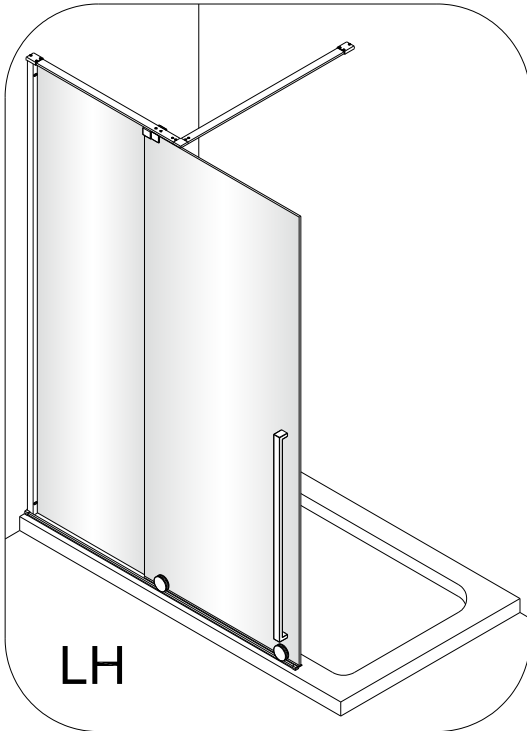


Swiss
Aqua
Technologies

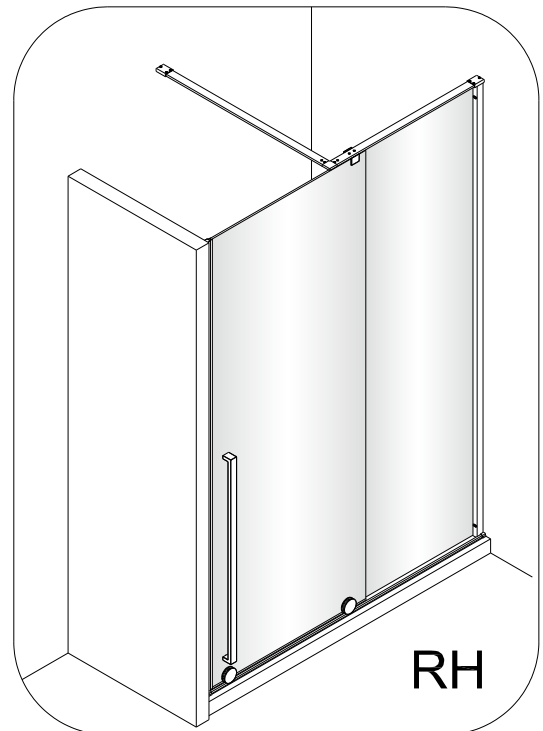
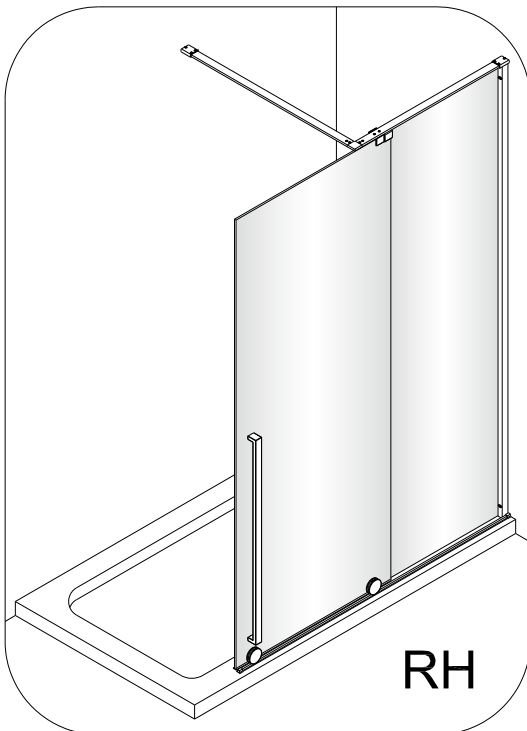
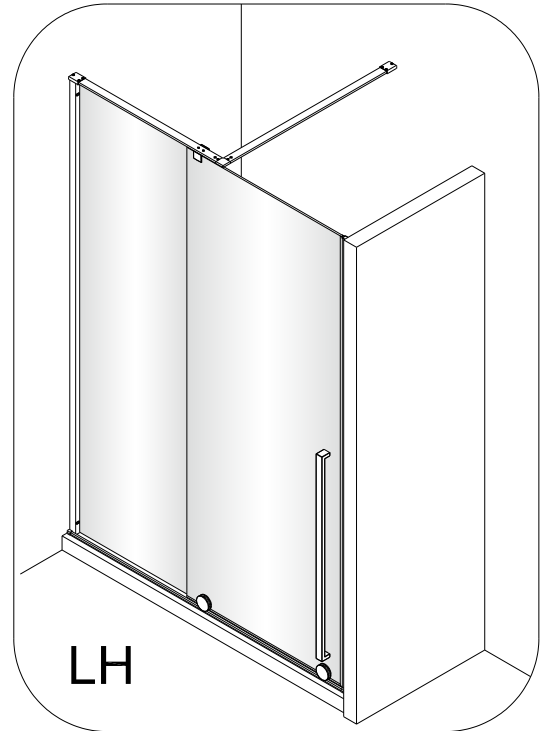
Instalační návod
Inštalacný návod
Mounting Instruction
Montageanleitung
Инструкция по установке

SIKOWIXM110
SIKOWIXM120
SIKOWIXM140
SIKOWIXMNIKAP
SIKOWIXMPROFIL
SIKOWIXMZAV1
SIKOWIXMZAV2

Set A (page 5-10)
SIKOWIXM+PROFIL+ZAV1

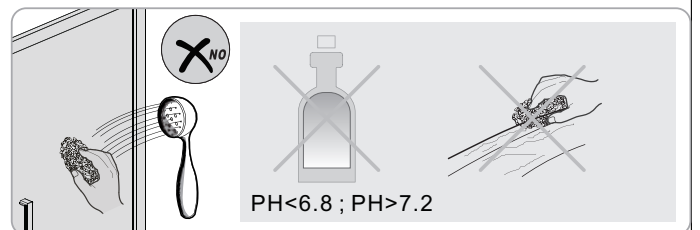
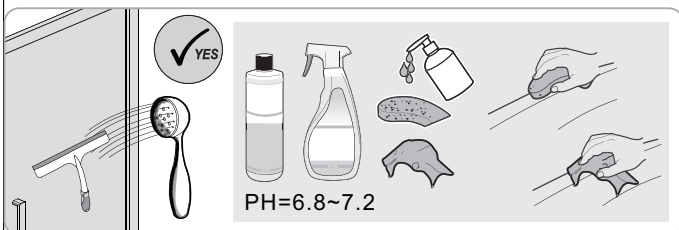
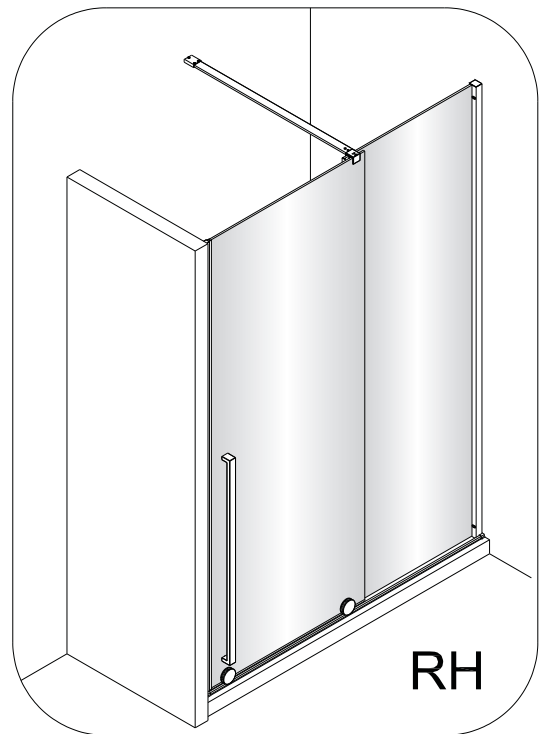
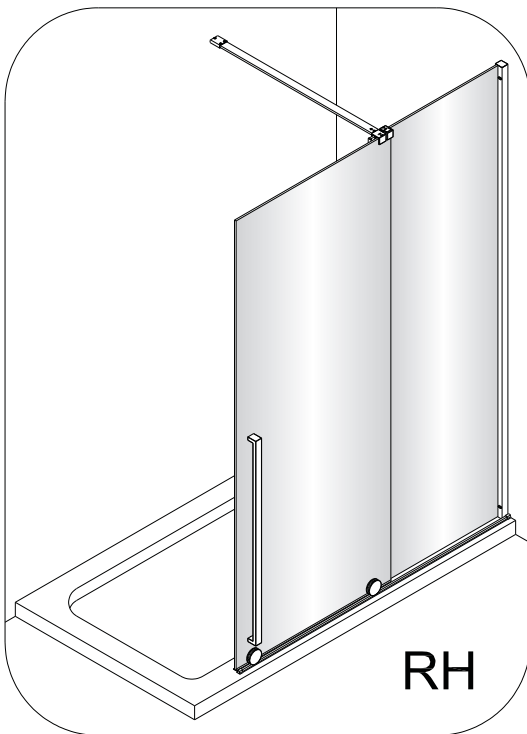
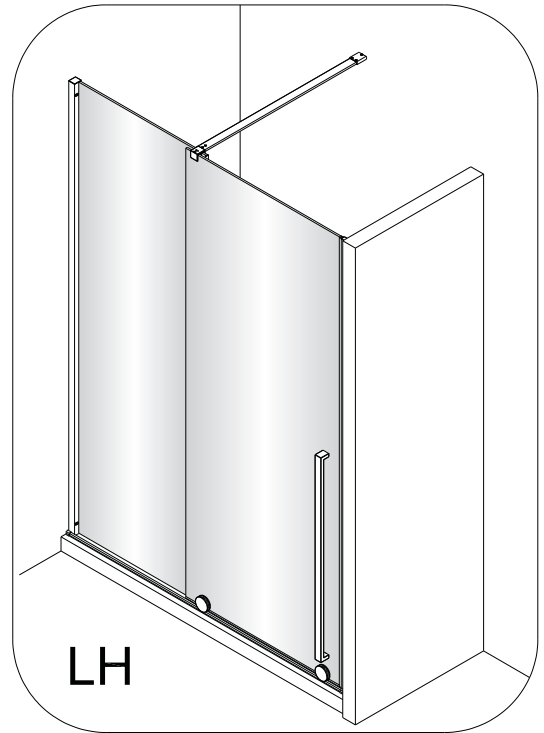
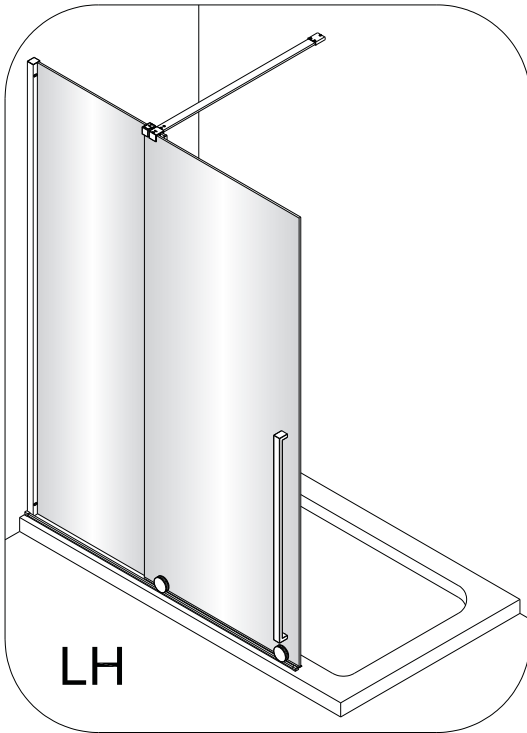


Set B (page 11-16)
SIKOWIXM+PROFIL+ZAV1+NIKAP



Set C (page 17-22)
SIKOWIXM+PROFIL+ZAV2

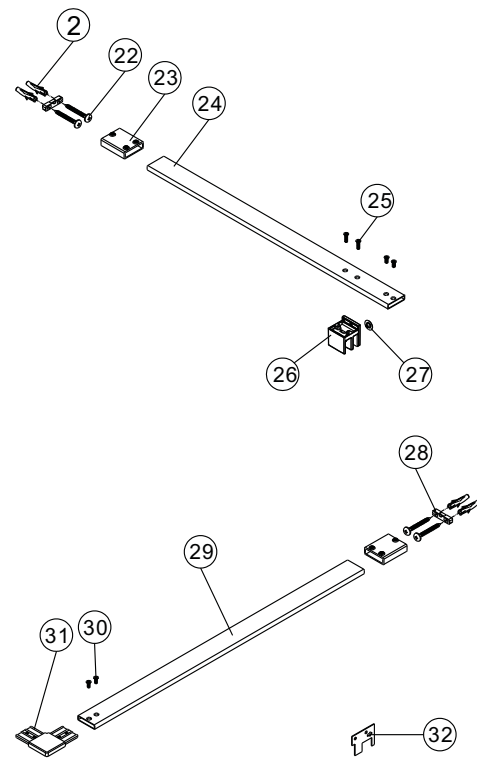
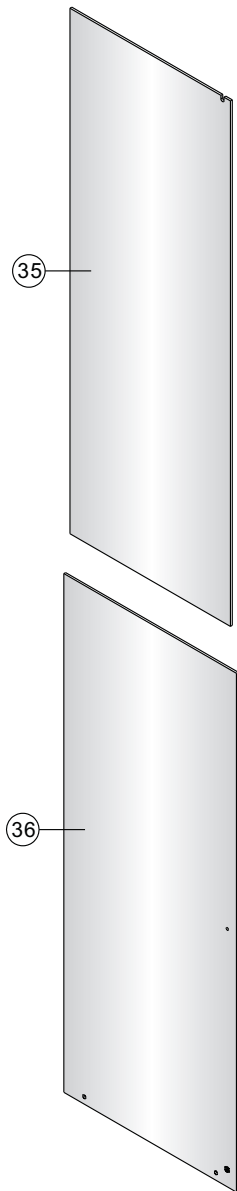
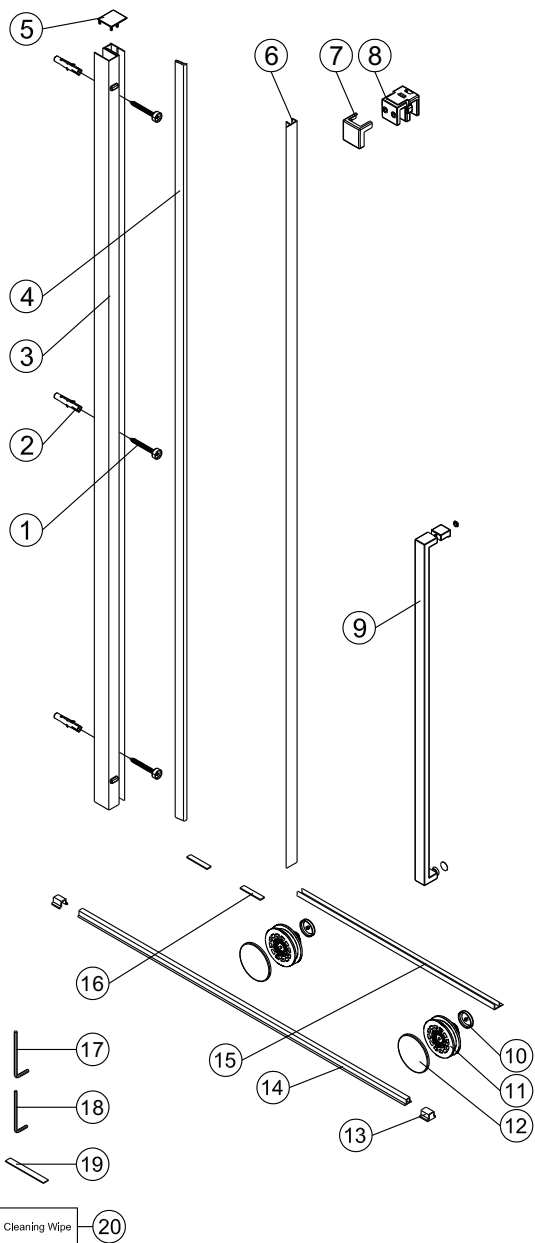
Set D (page 23-28)
SIKOWIXM+PROFIL+ZAV2+NIKAP



SIKOWIXMPROFIL

SIKOWIXM

SIKOWIXMZAV1



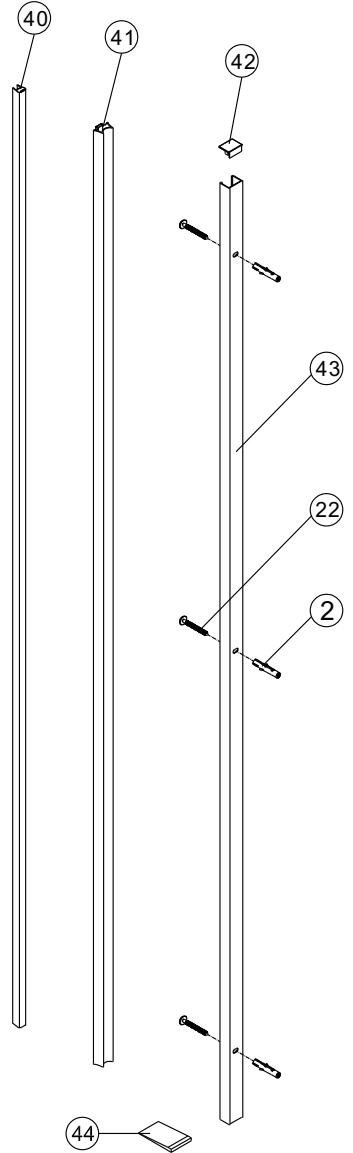
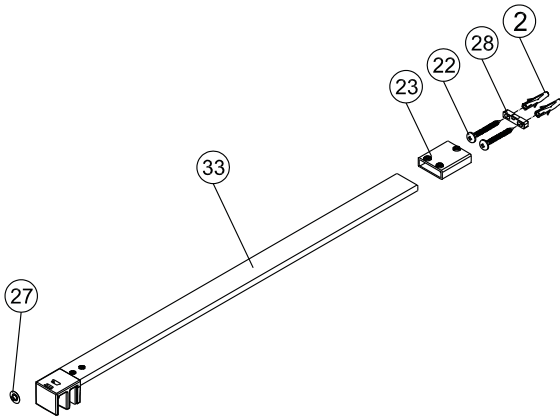
| | | | |
|-------------------|-------------------|----------|---------------------------|
| 1 x3 ST4X40 | 2 x3 | 3 x1 | 4 x1 |
| 5 x1 | 6 x1 | 7 x1 | 8 x1 |
| 9 x1 | 10 x2 | 11 x2 | 12 x2 |
| 13 x2 | 14 x1 | 15 x1 | 16 x2 |
| 17 x2 4mm | 18 x1 2.5mm | 19 x6 | 20 x1 Cleaning Wipe |

| |
|----------|
| 35 x1 |
| 36 x1 |

| | | | |
|-------------------|--------------------|----------|----------|
| 2 x4 | 22 x4 ST4X40 | 23 x2 | 24 x1 |
| 25 x2 M4X12 | 26 x1 | 27 x1 | 28 x2 |
| 29 x1 | 30 x4 M4X6 | 31 x1 | 32 x1 |

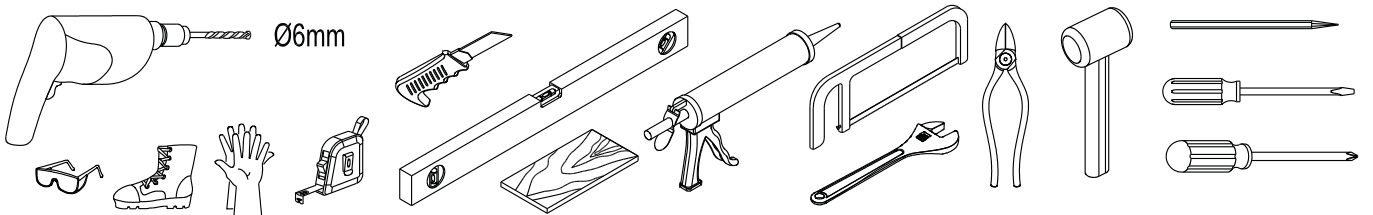
SIKOWIXMZAV2

SIKOWIXMNIKAP



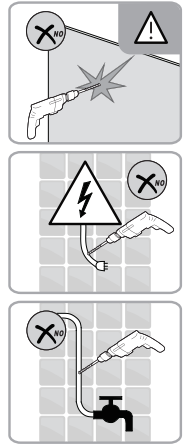
| | | | |
|--------------|------------------------|--------------|--------------|
| 2 x2 | 22 x2 ST4X40 | 23 x1 | 27 x1 |
| 28 x1 | 33 x1 | | |

| | | | |
|--------------|------------------------|--------------|--------------|
| 2 x3 | 22 x3 ST4X40 | 40 x1 | 41 x1 |
| 42 x1 | 43 x1 | 44 x4 | |

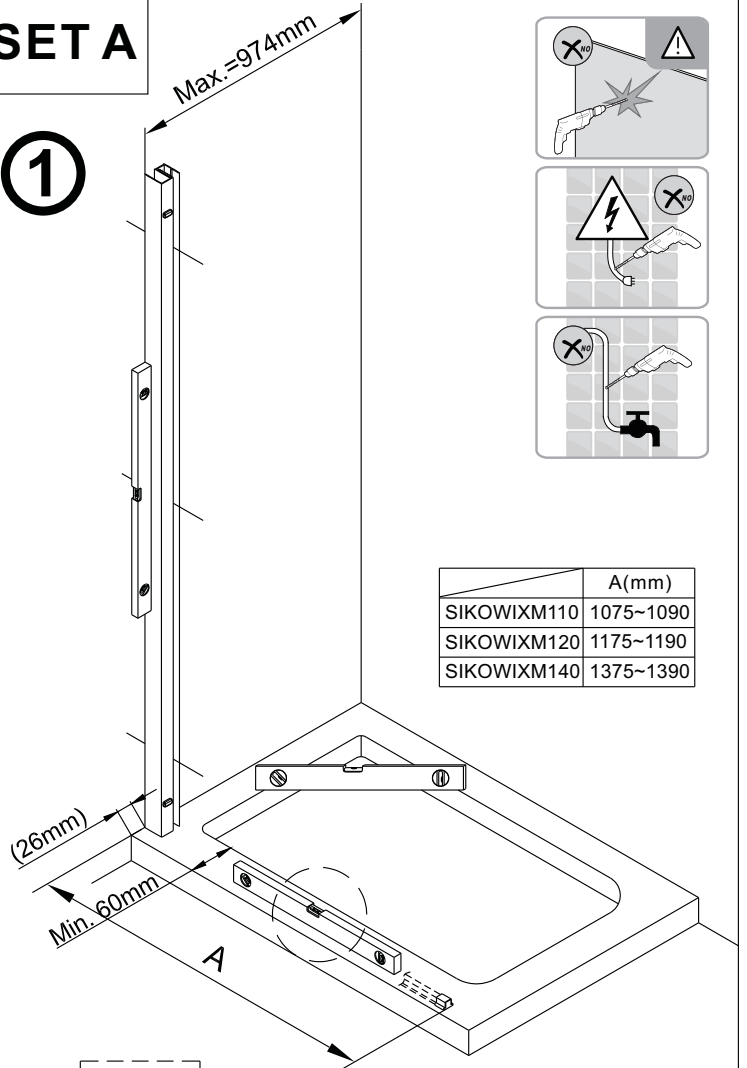


SET A

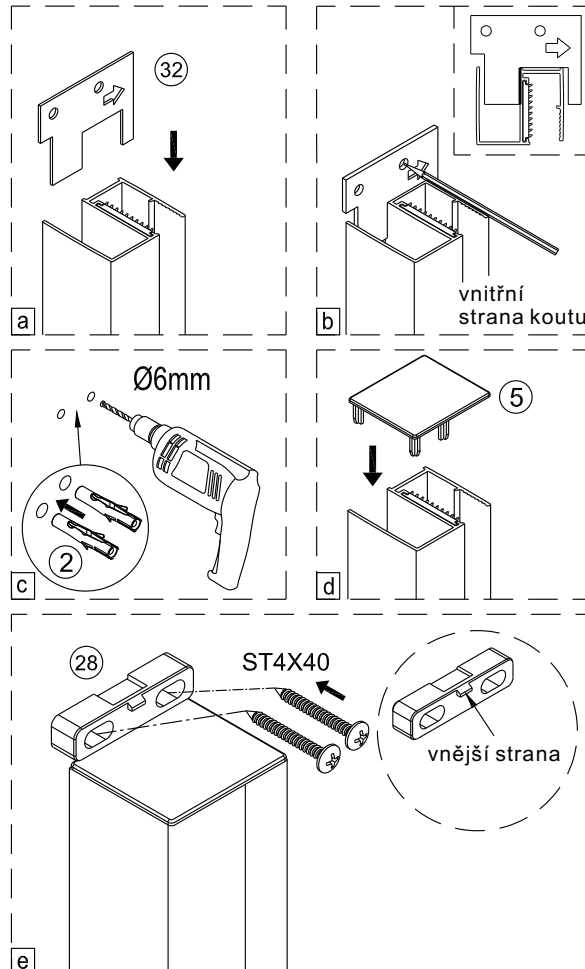
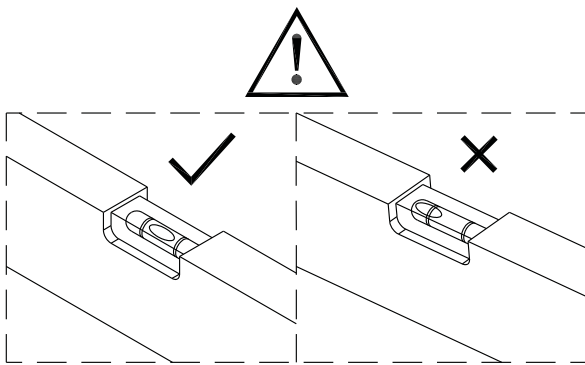
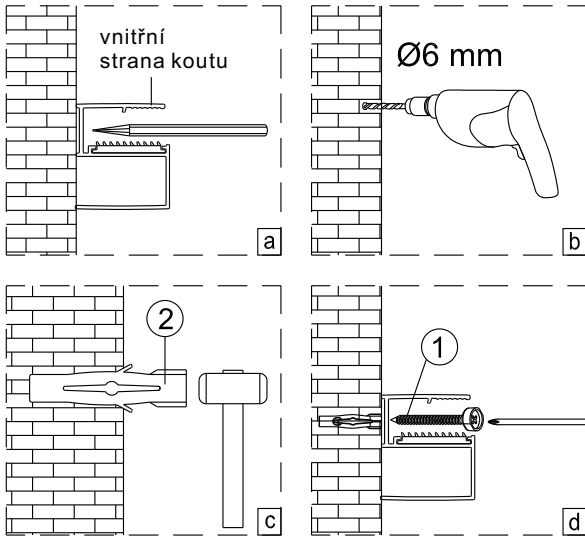
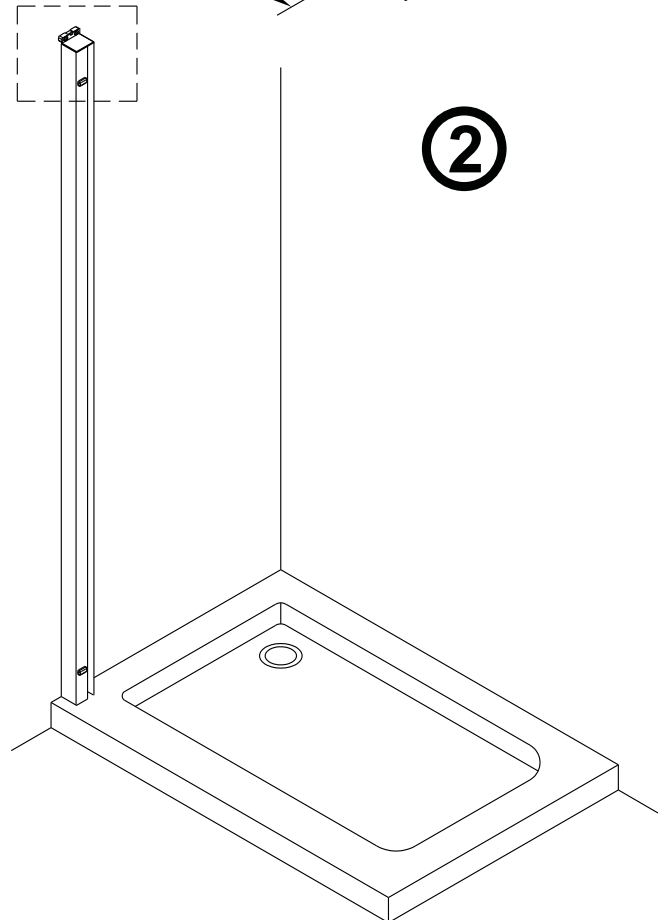
1

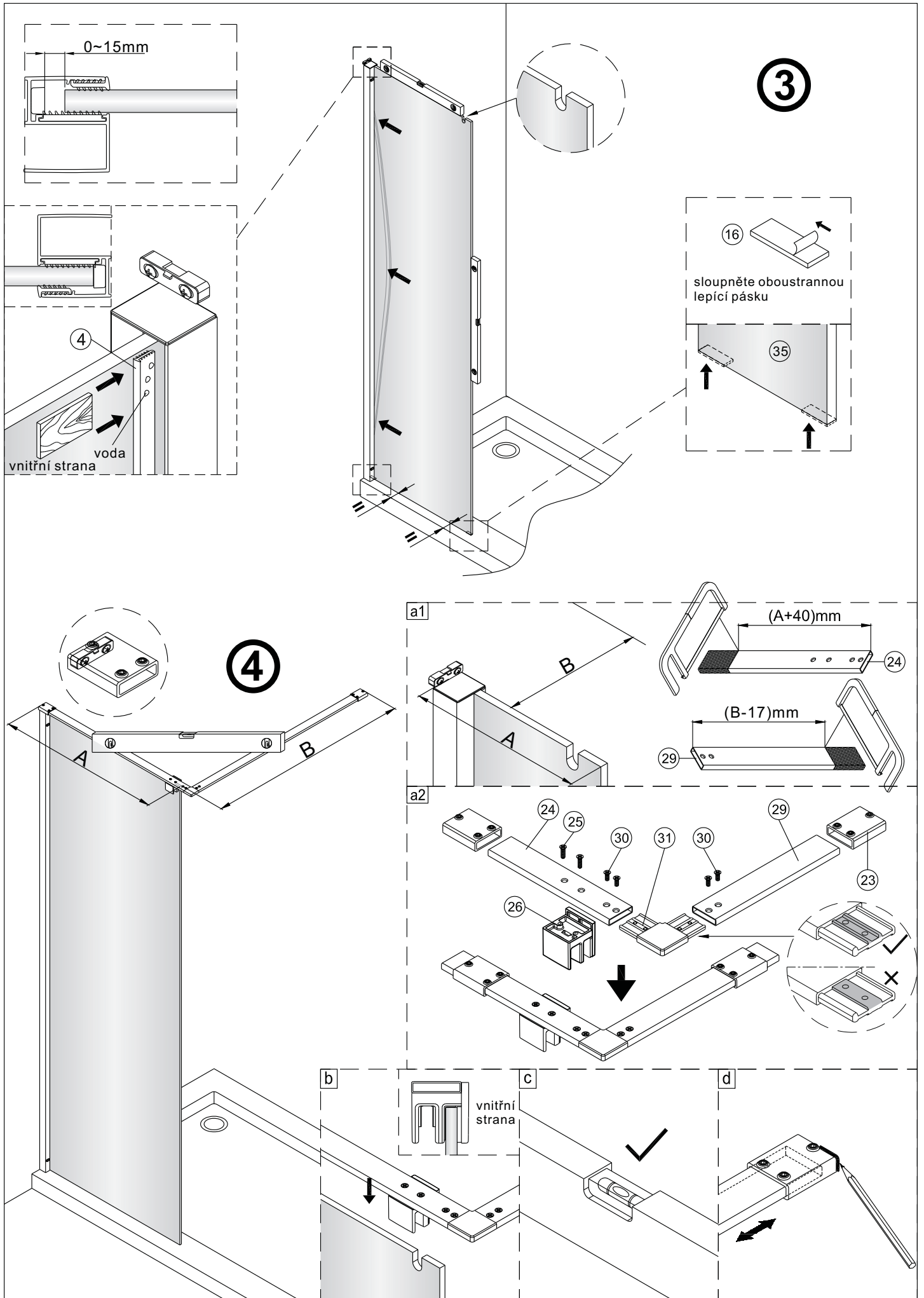


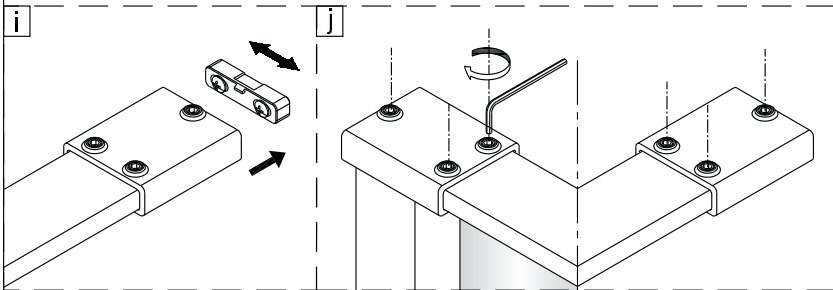
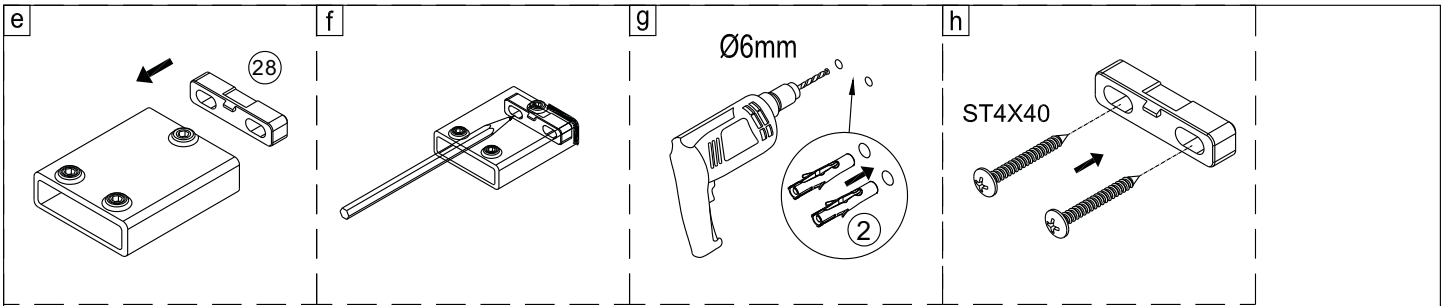
| | A(mm) |
|-------------|-----------|
| SIKOWIXM110 | 1075~1090 |
| SIKOWIXM120 | 1175~1190 |
| SIKOWIXM140 | 1375~1390 |



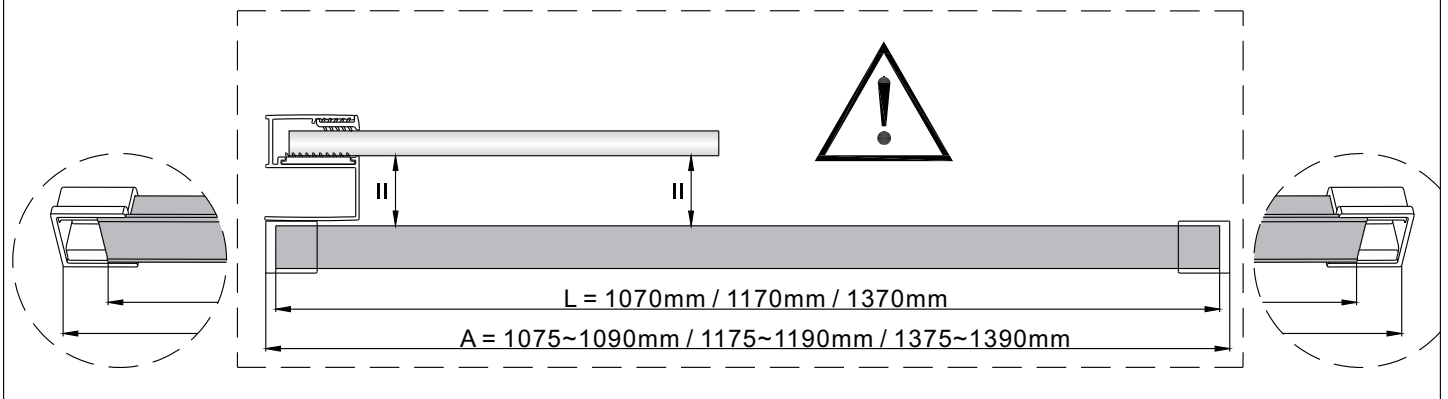
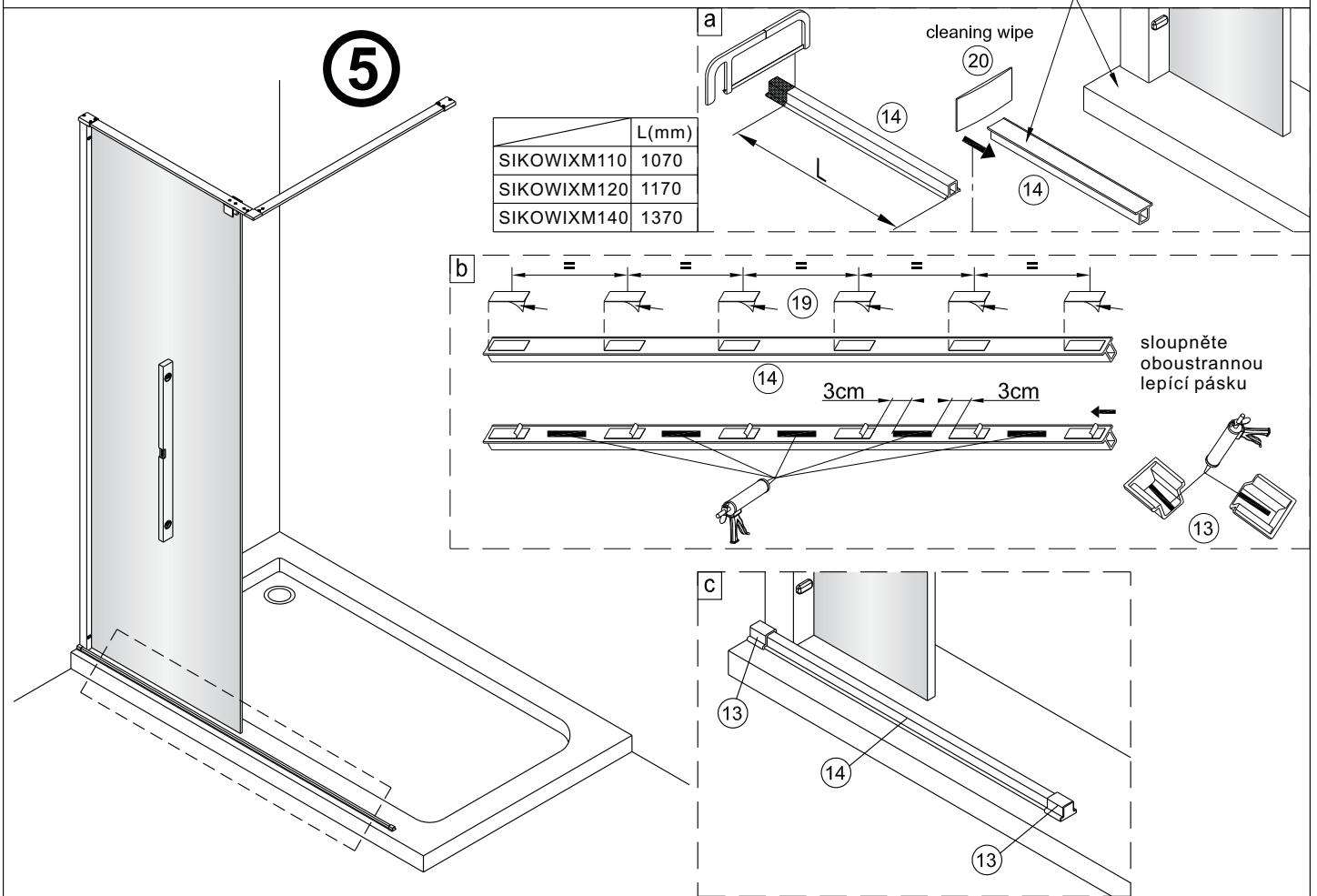
2

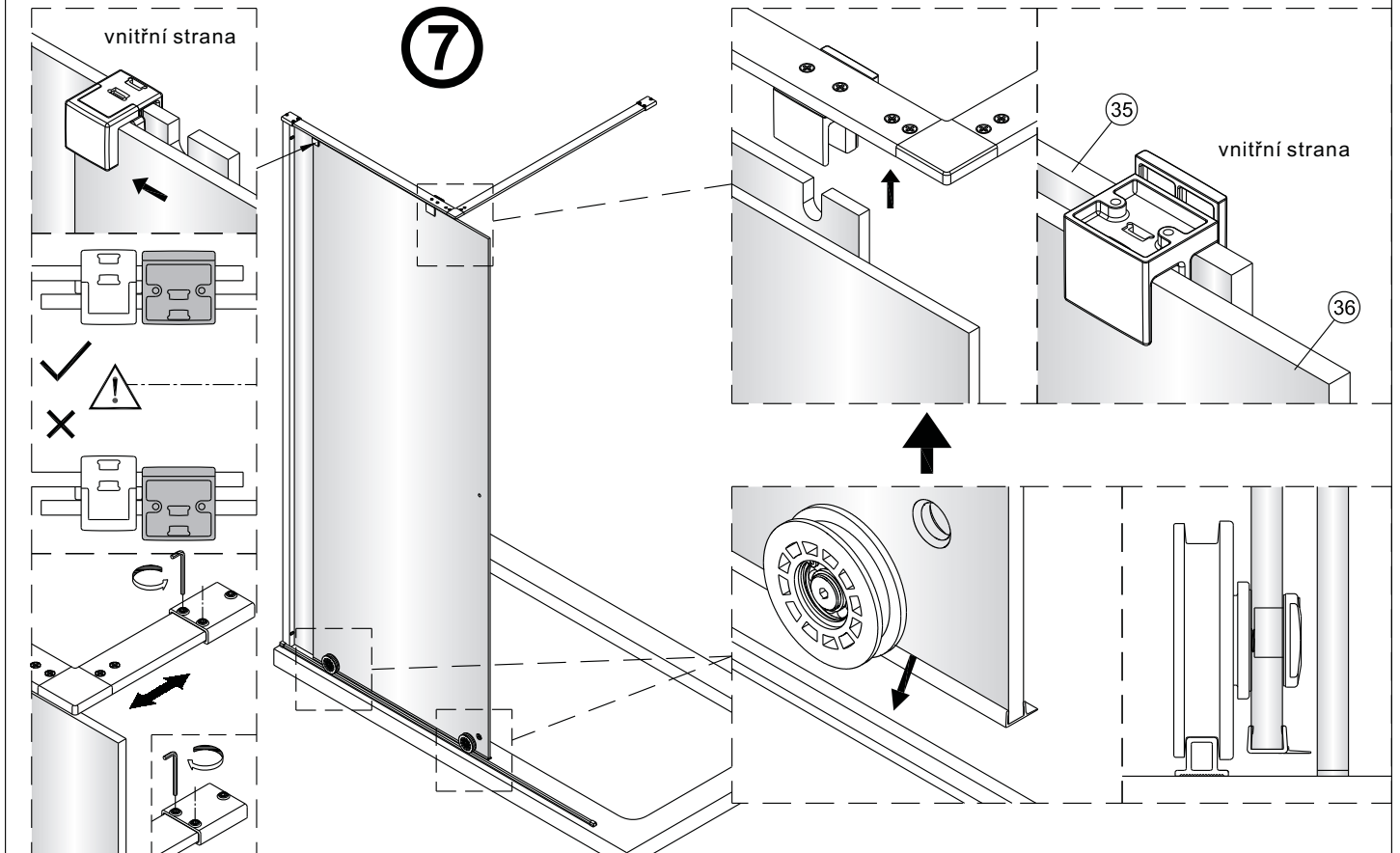
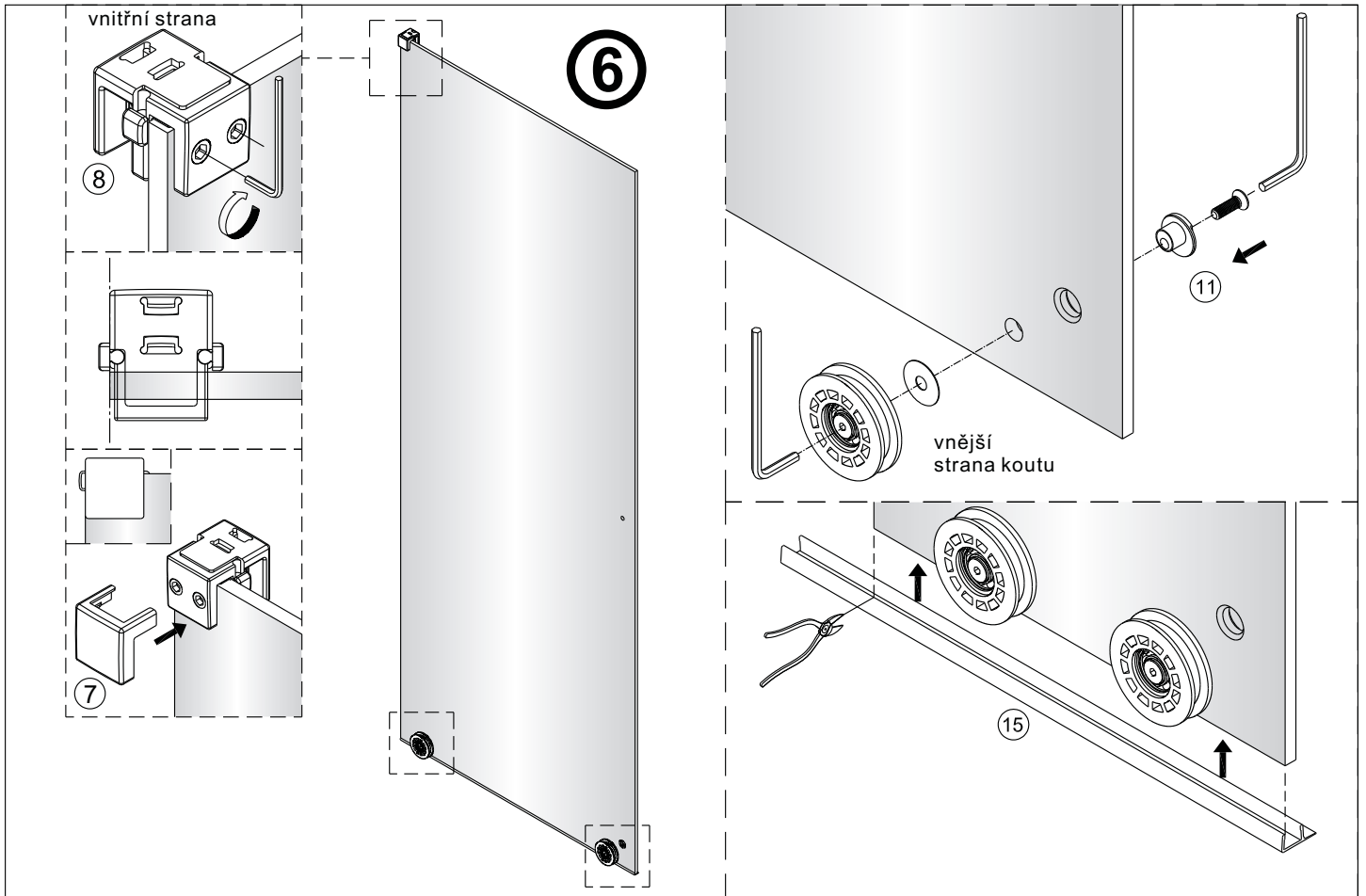


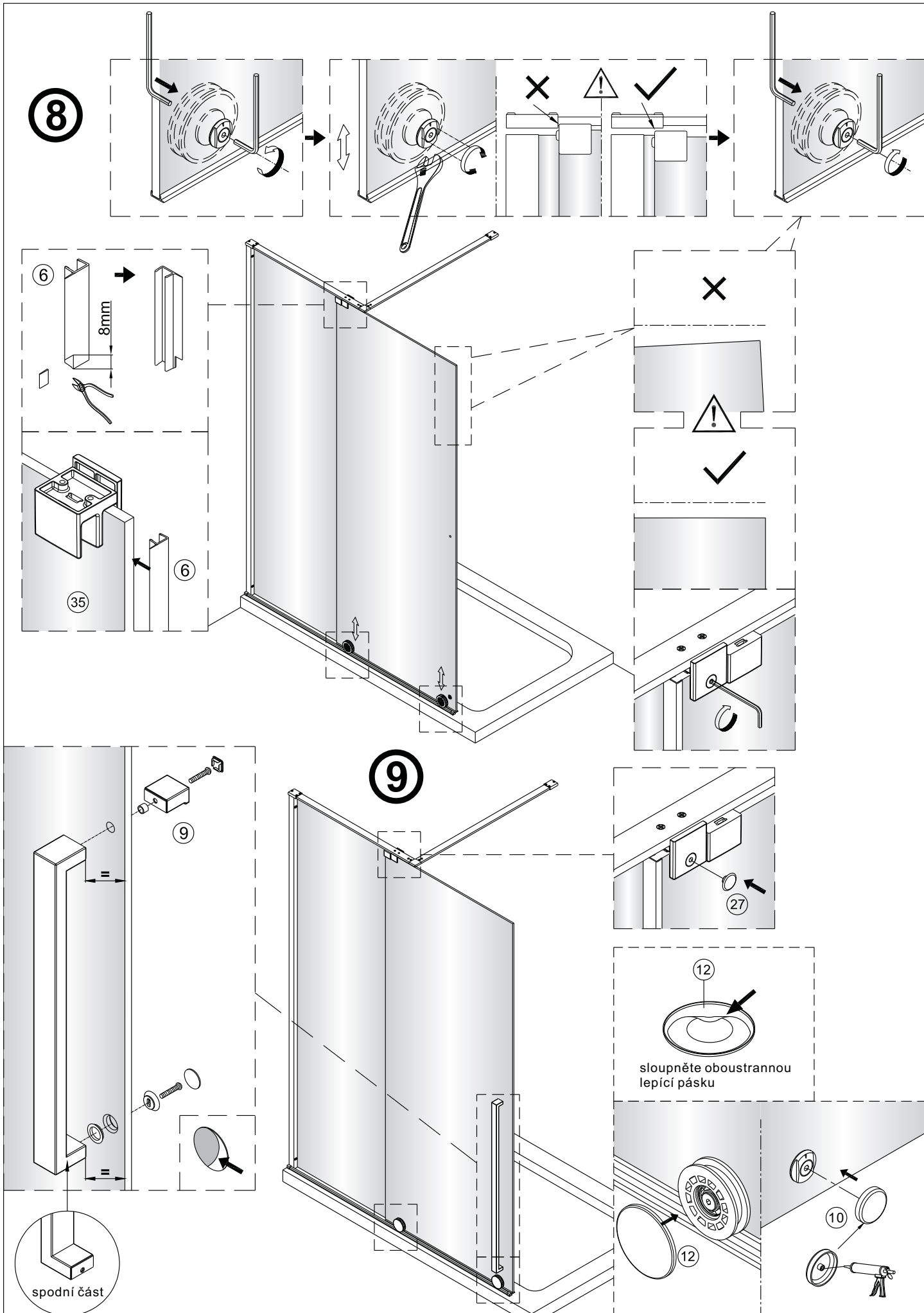




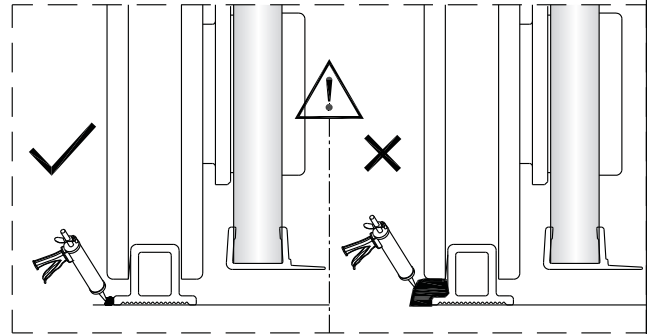
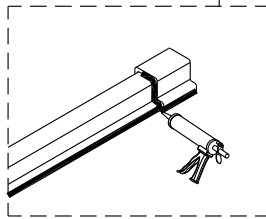
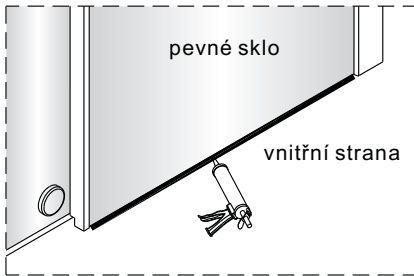
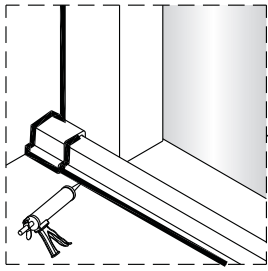
Degrease the bar and floor by No.20.





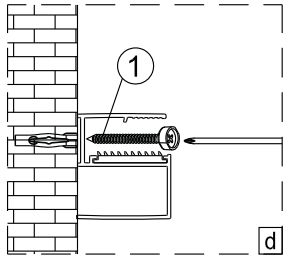
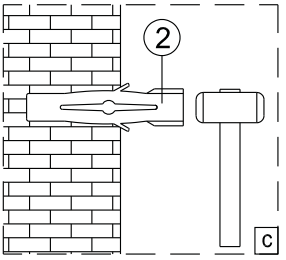
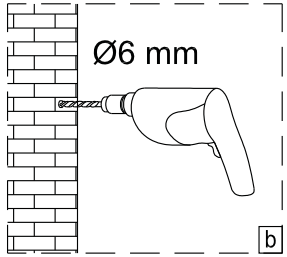
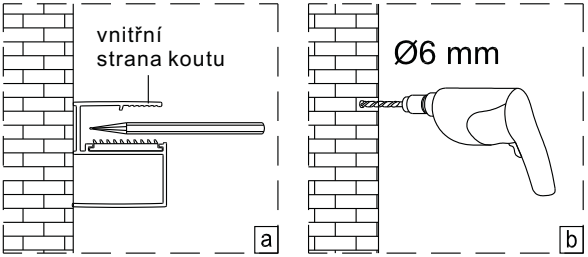


10

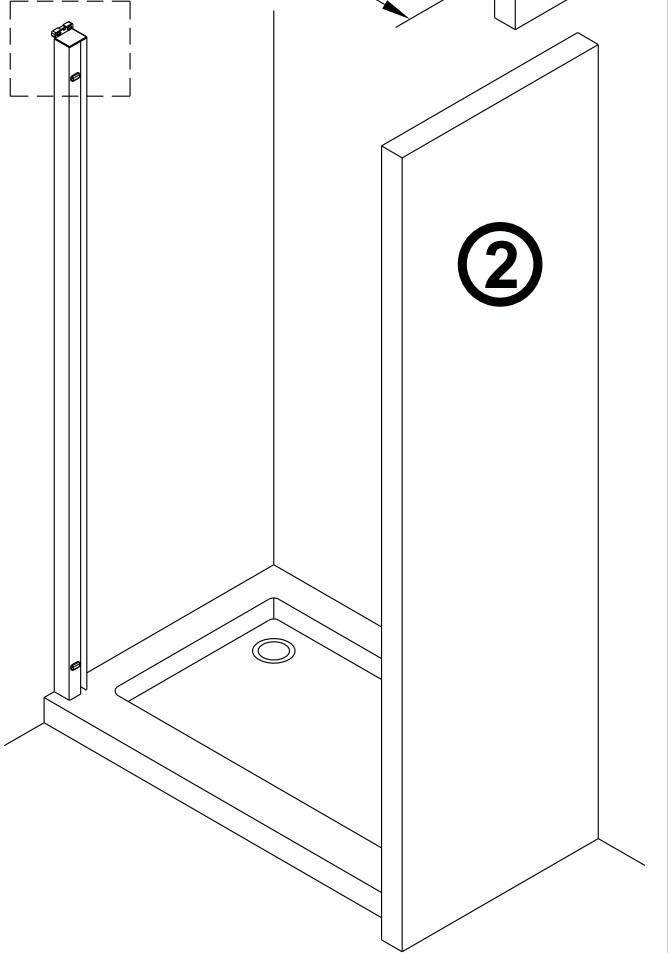
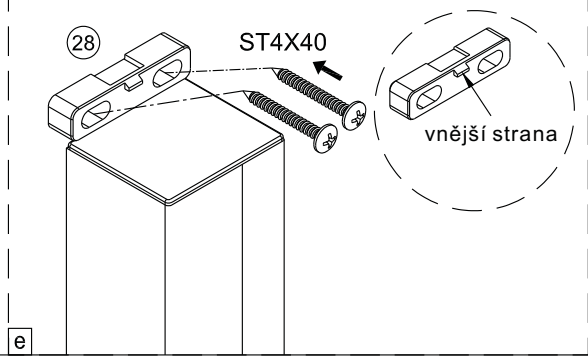
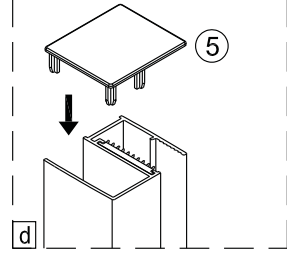
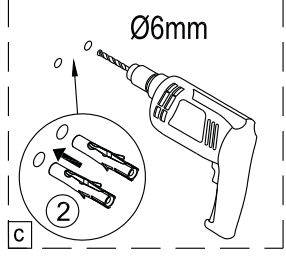
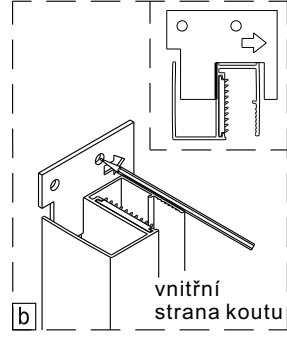
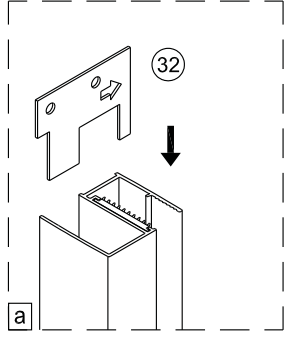
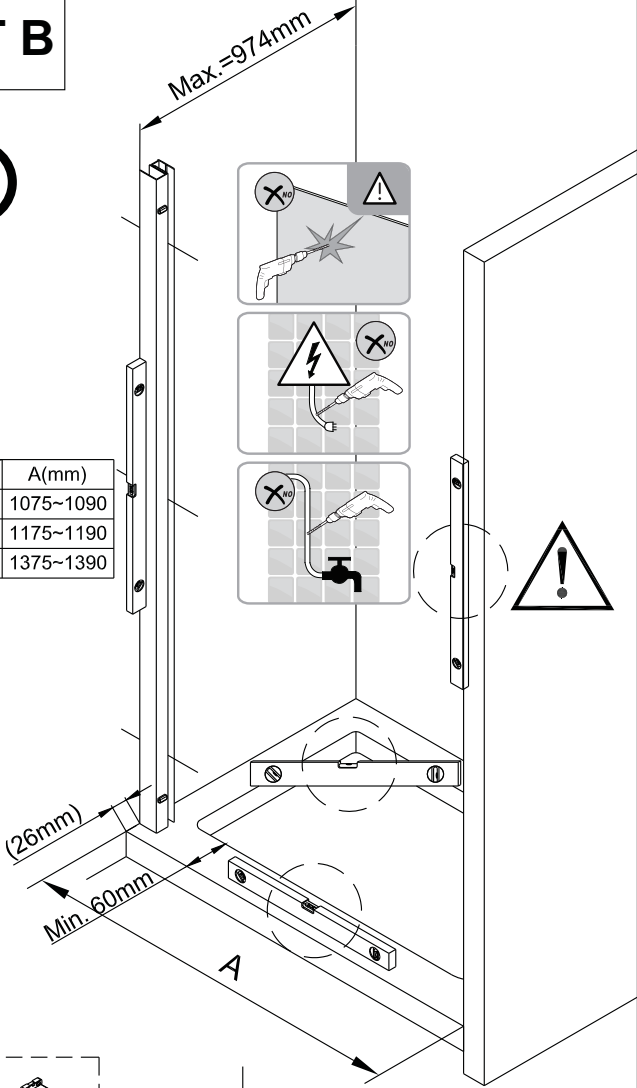
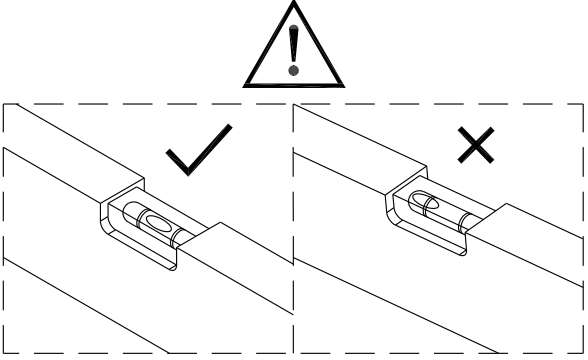


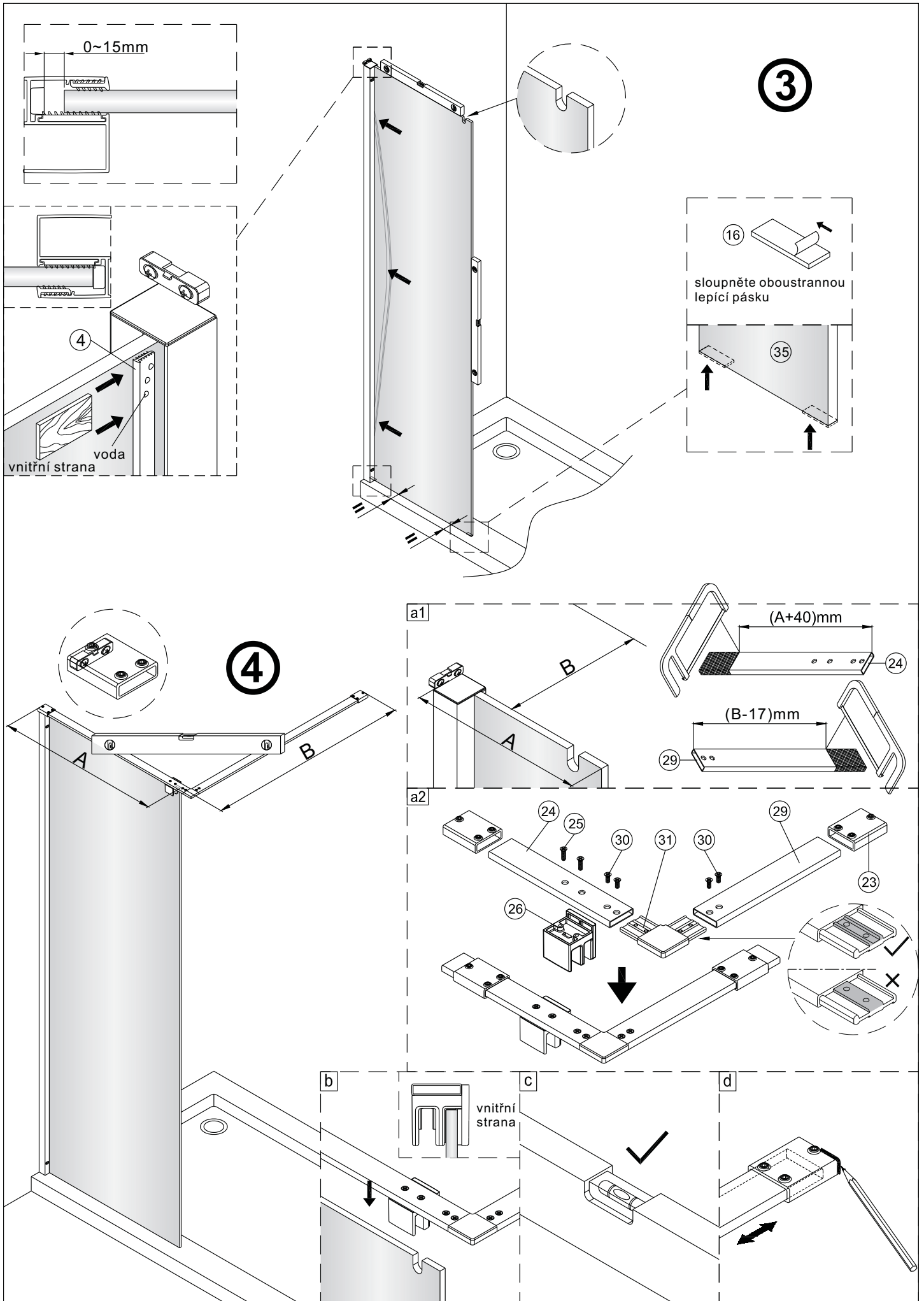
SET B

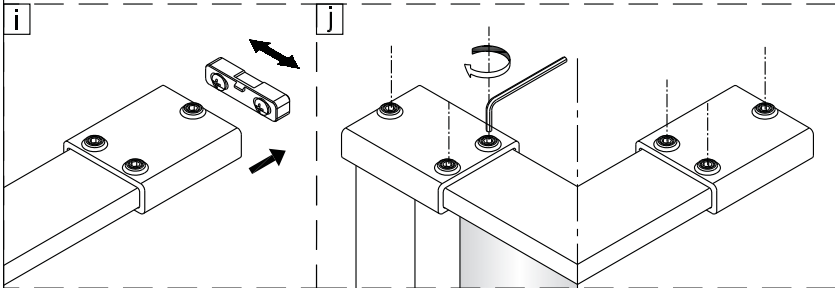
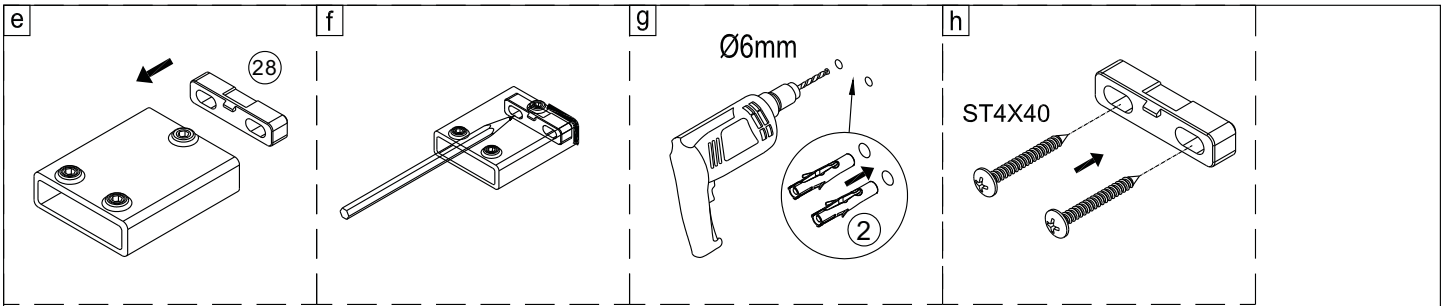
1



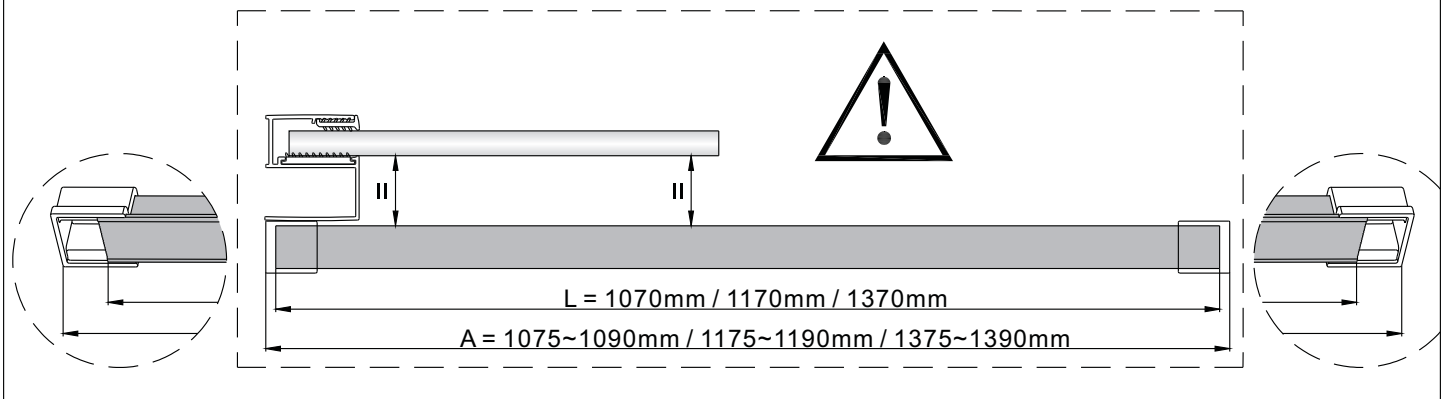
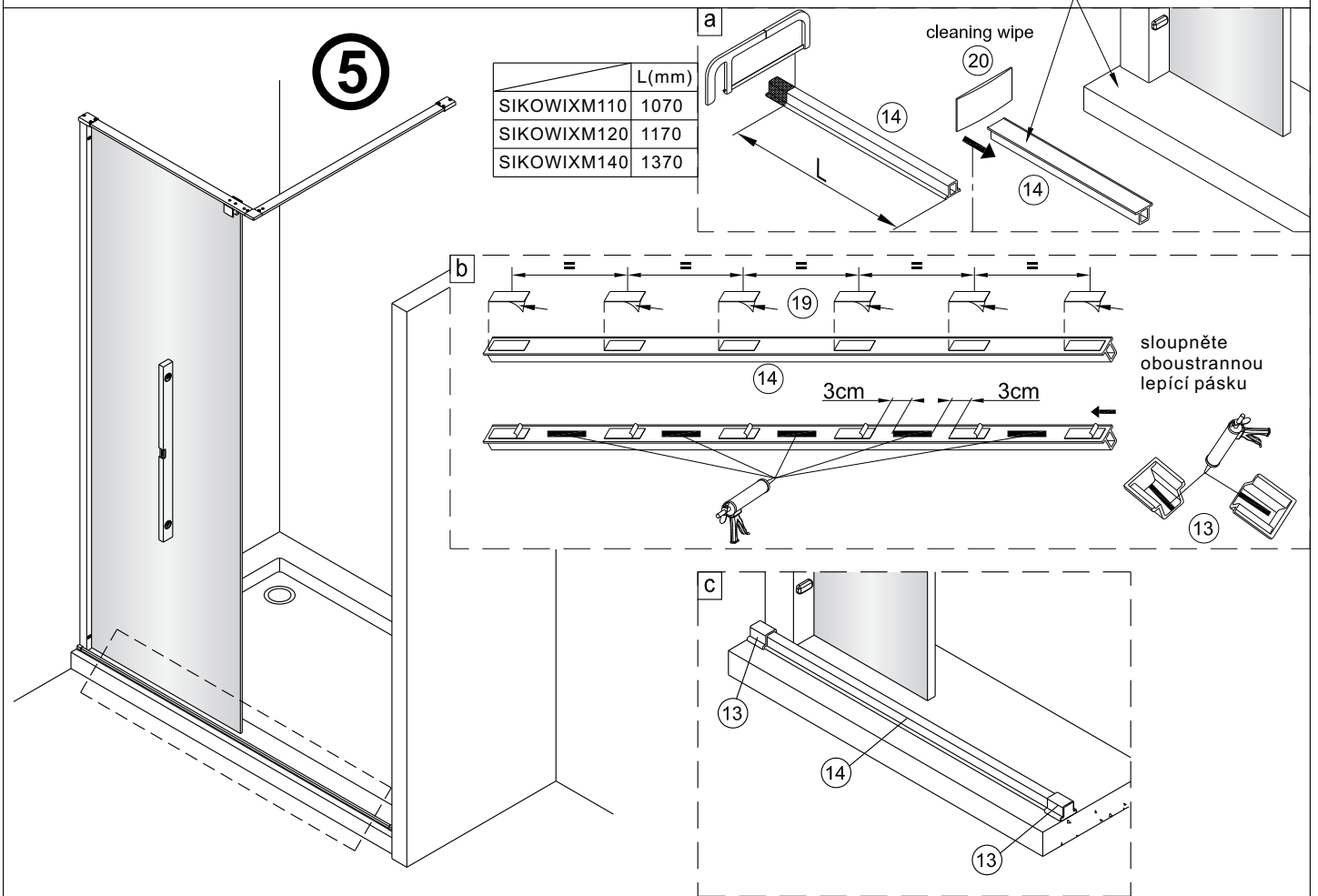
| | A(mm) |
|-------------|-----------|
| SIKOWIXM110 | 1075~1090 |
| SIKOWIXM120 | 1175~1190 |
| SIKOWIXM140 | 1375~1390 |

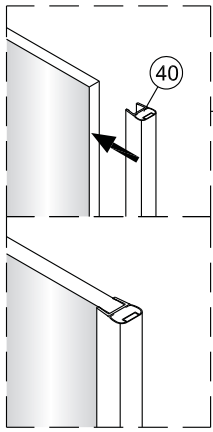




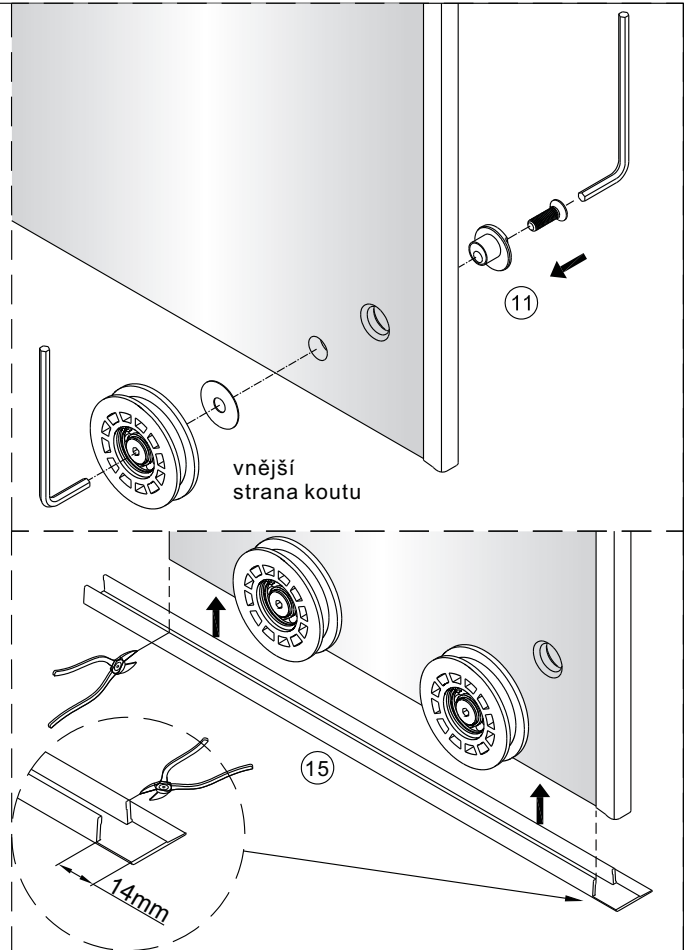
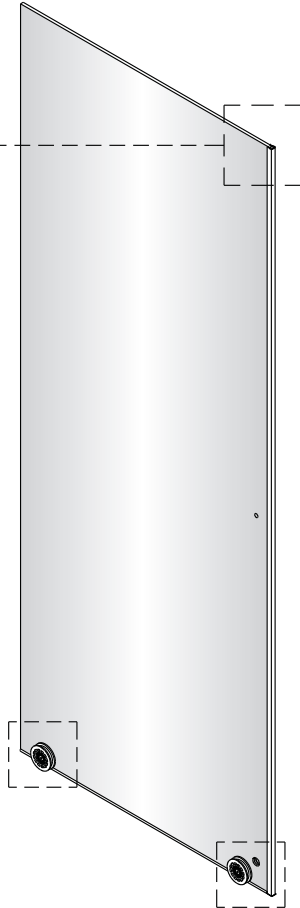


Degrease the bar and floor by No.20.

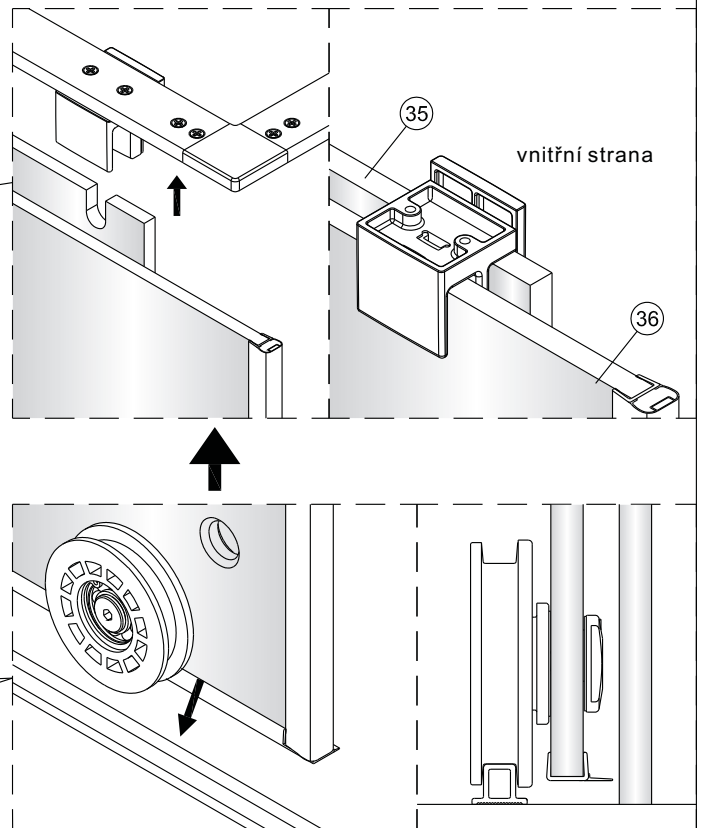
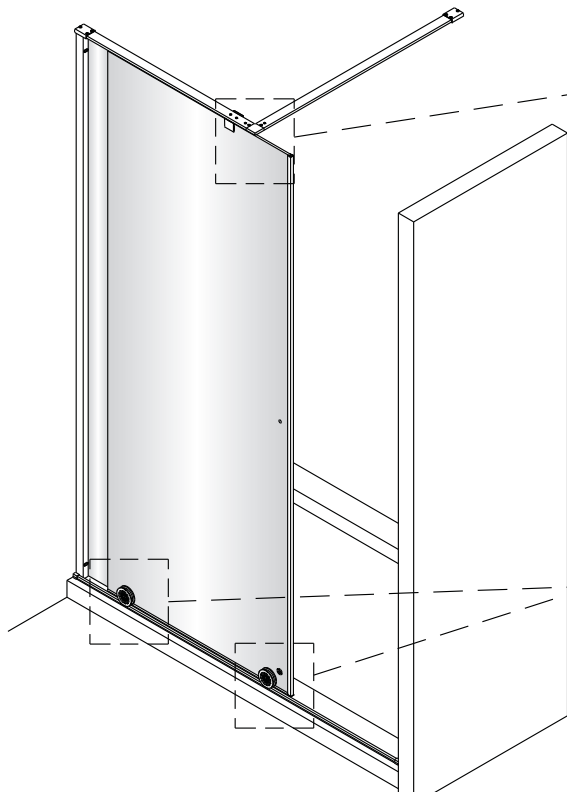


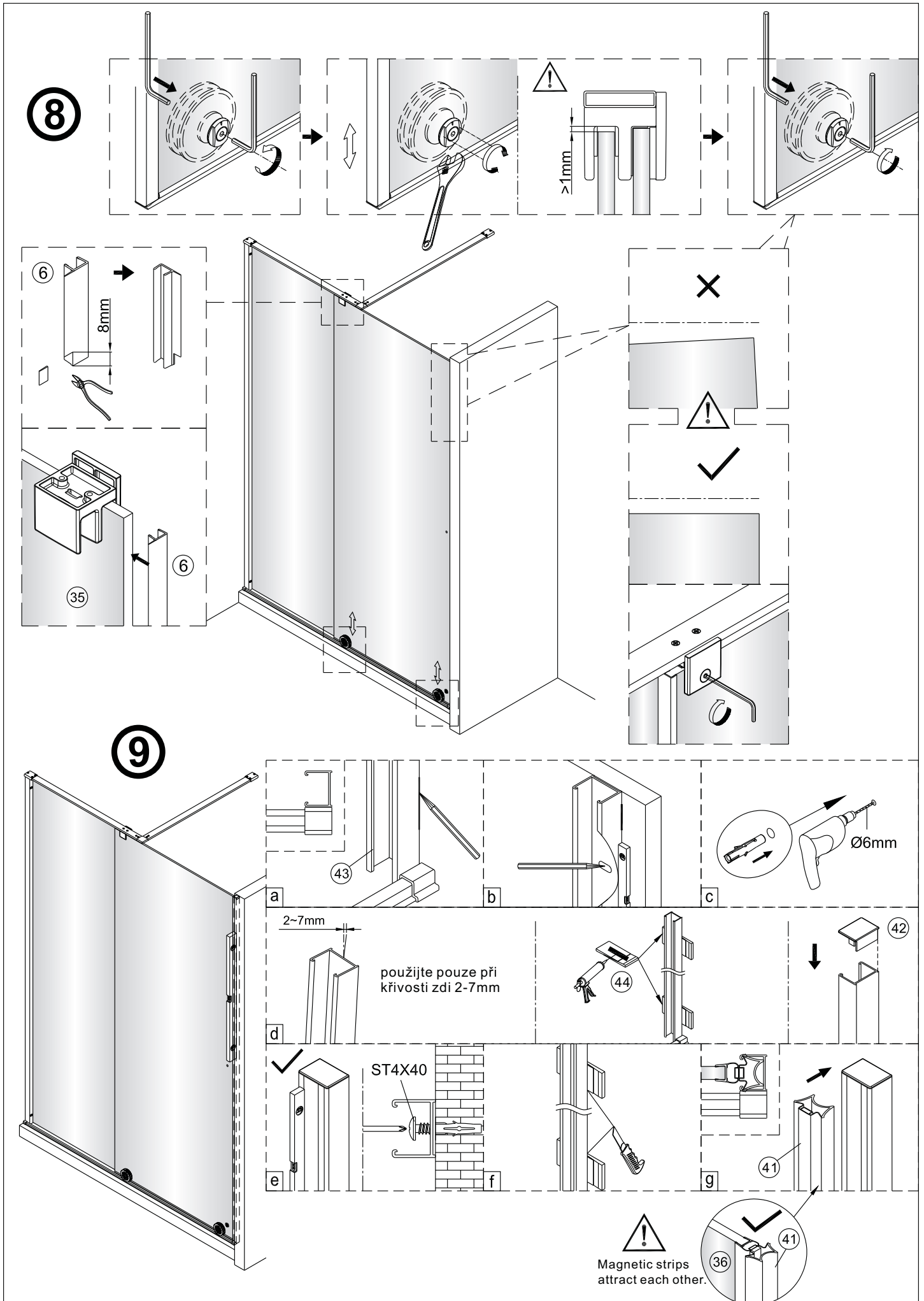


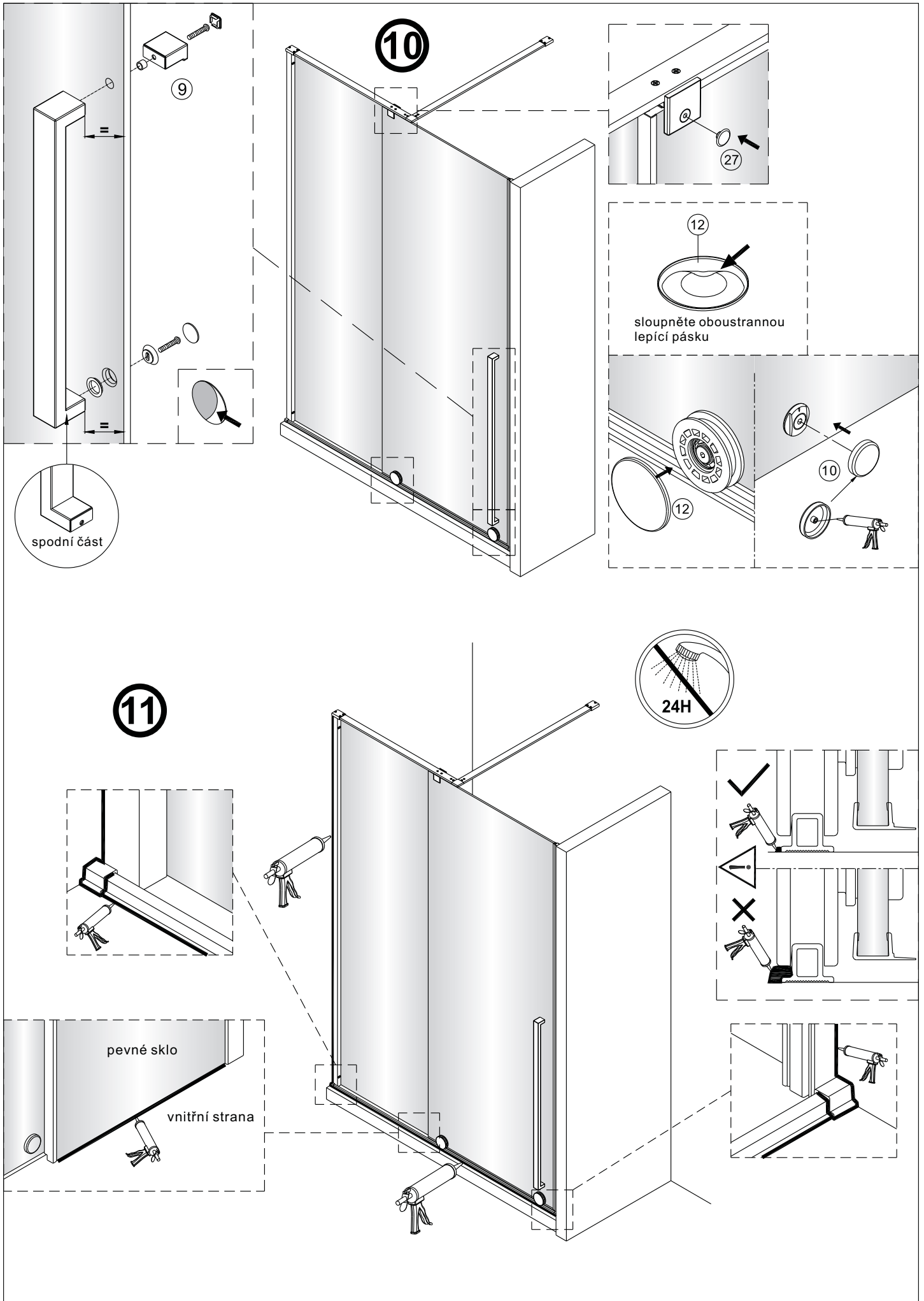
6



7

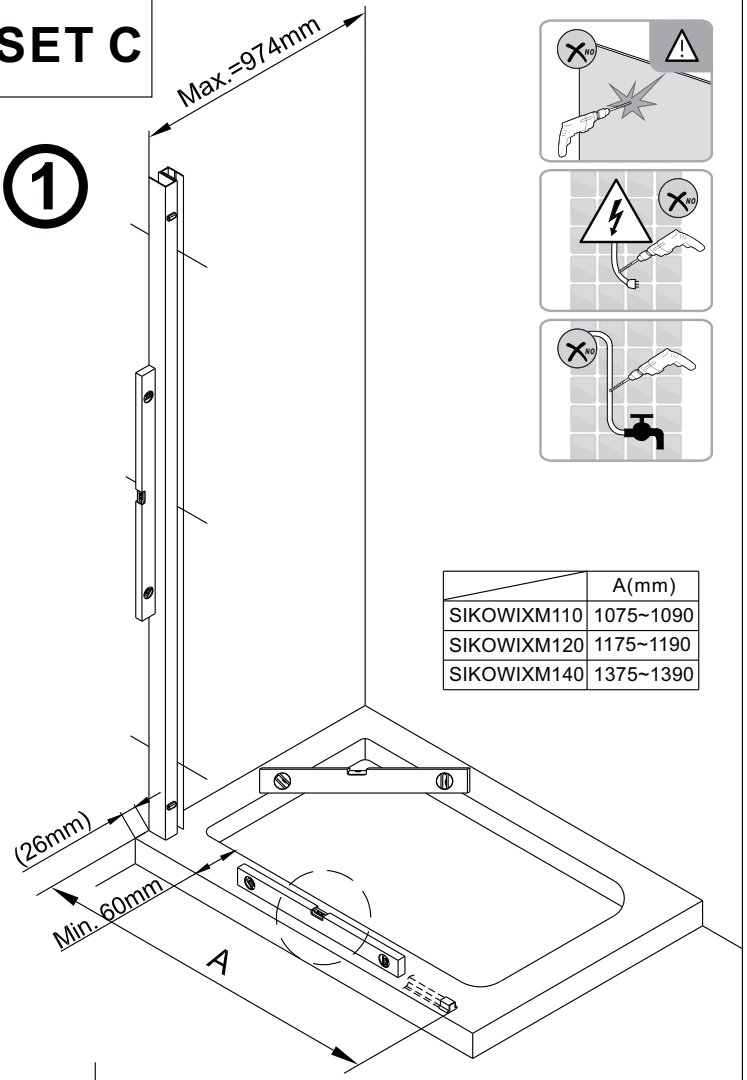
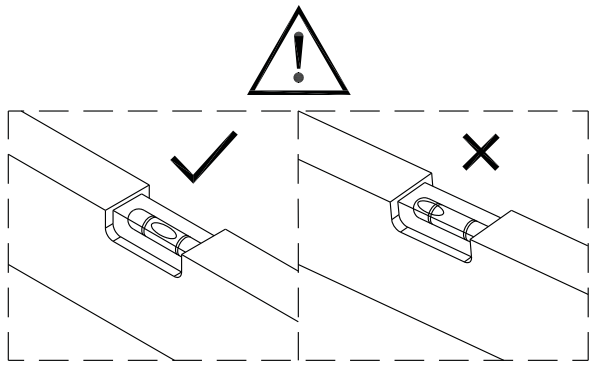
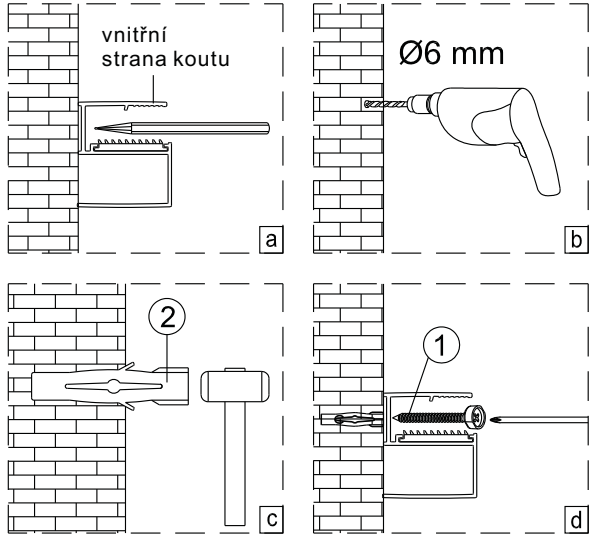




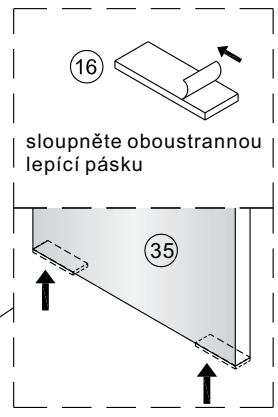
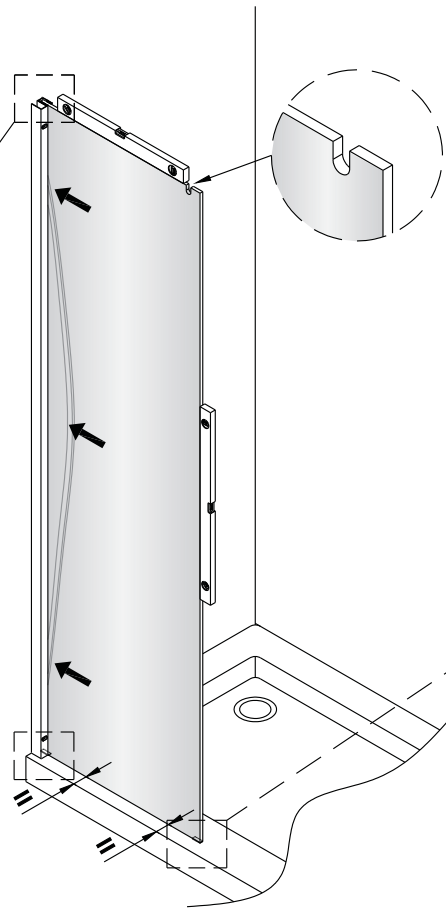
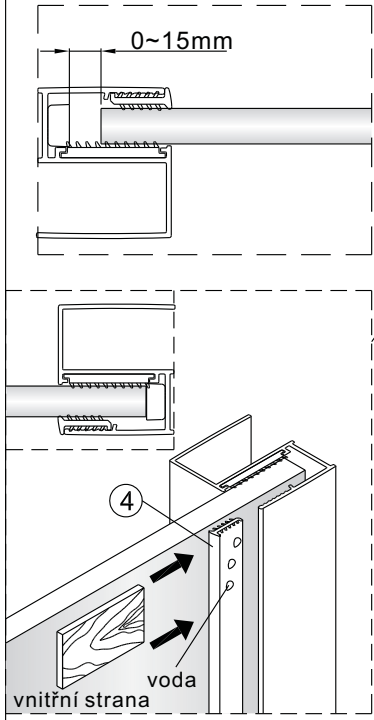


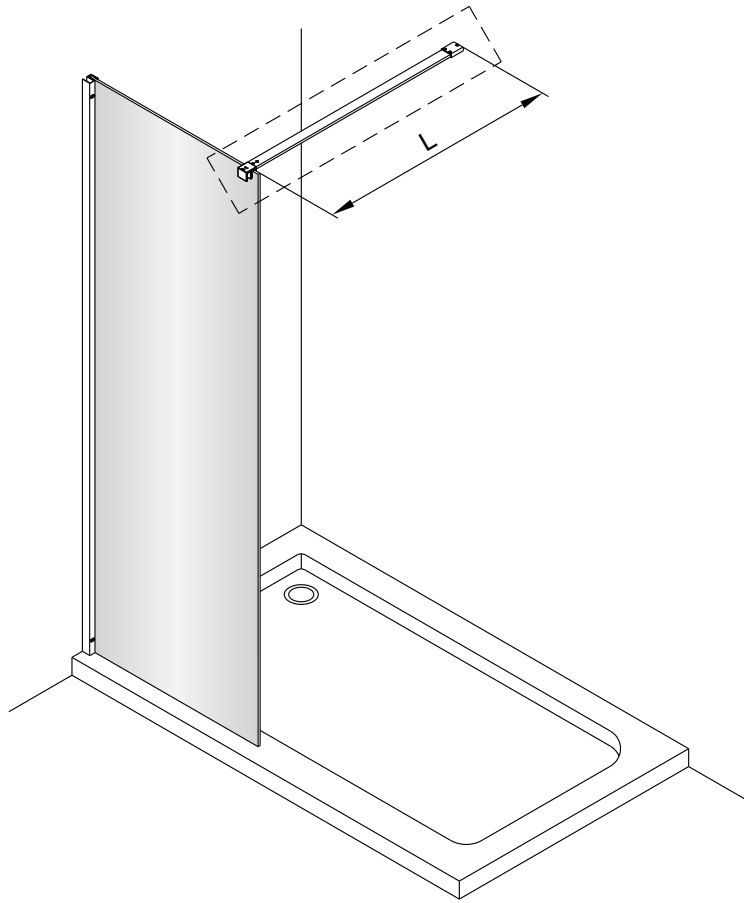
SET C

1

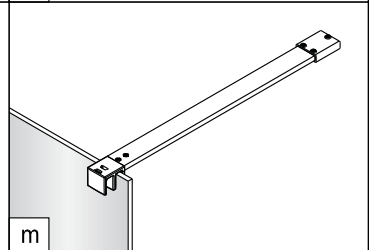
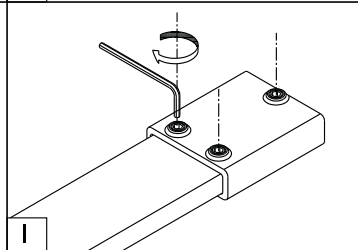
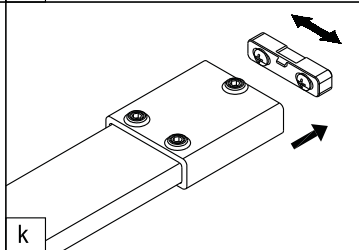
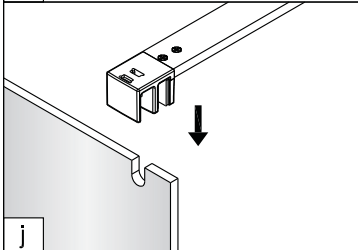
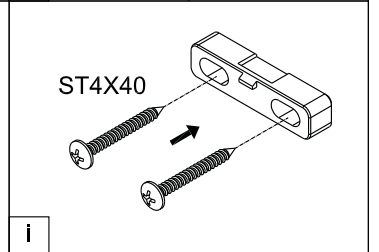
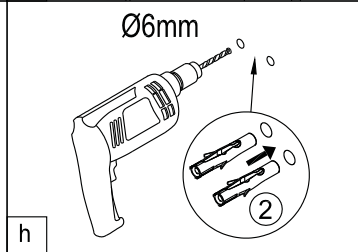
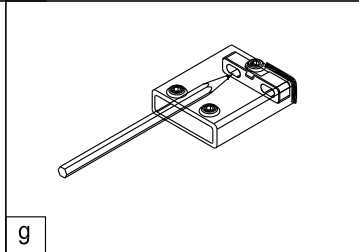
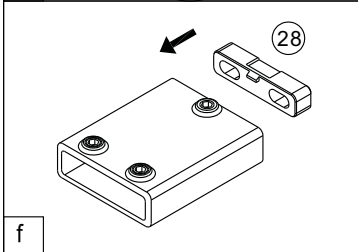
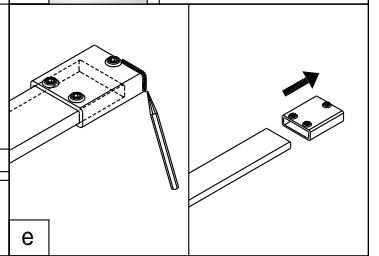
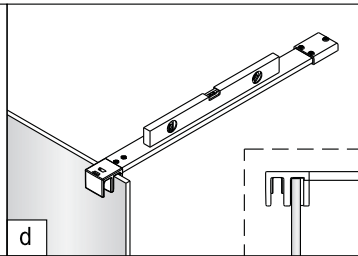
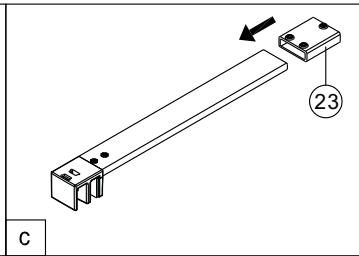
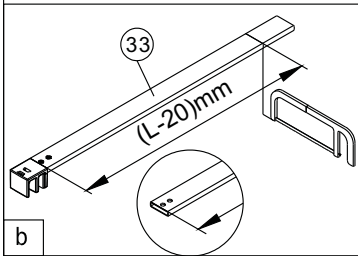
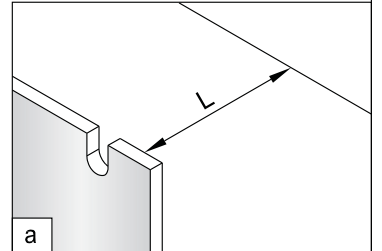


2

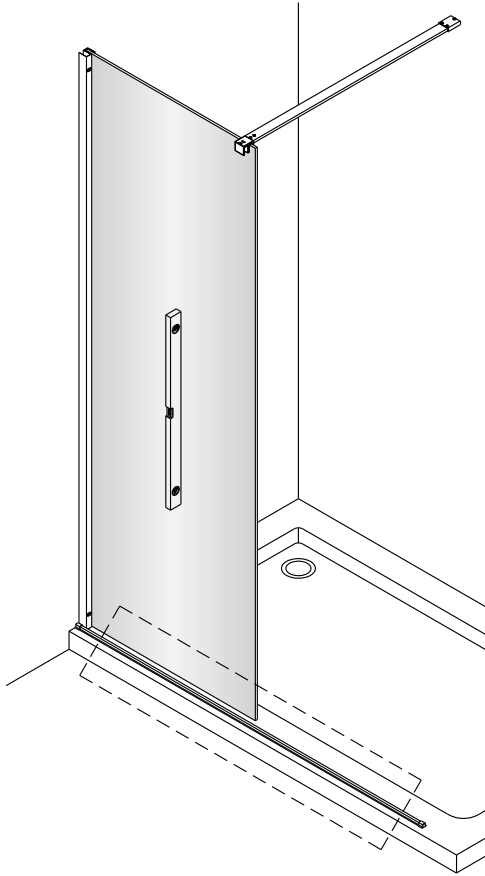




3

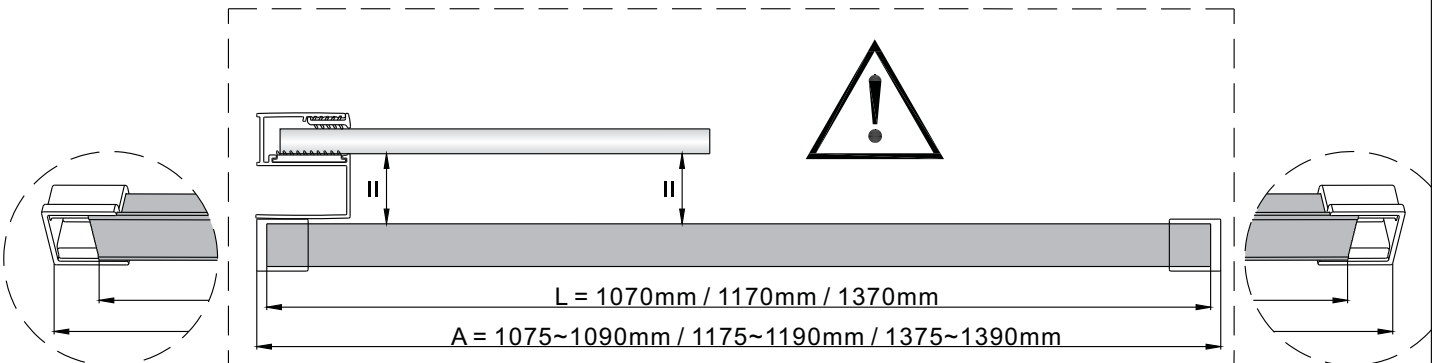
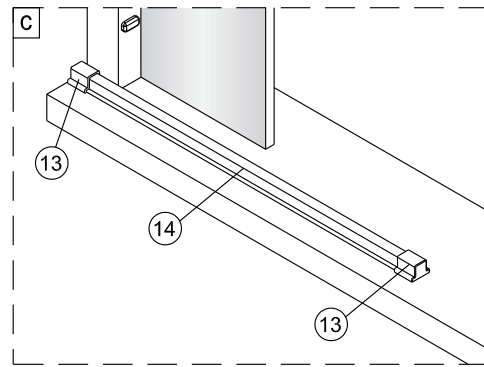
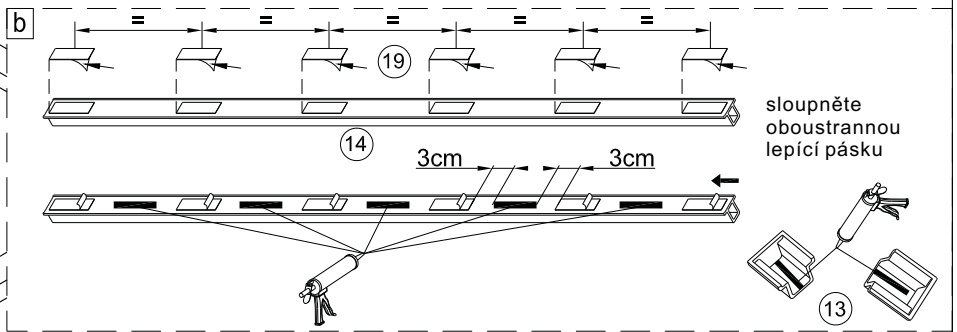
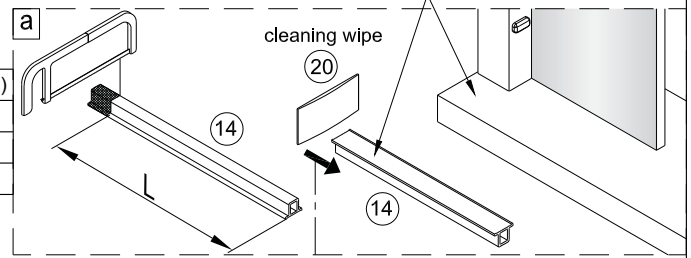


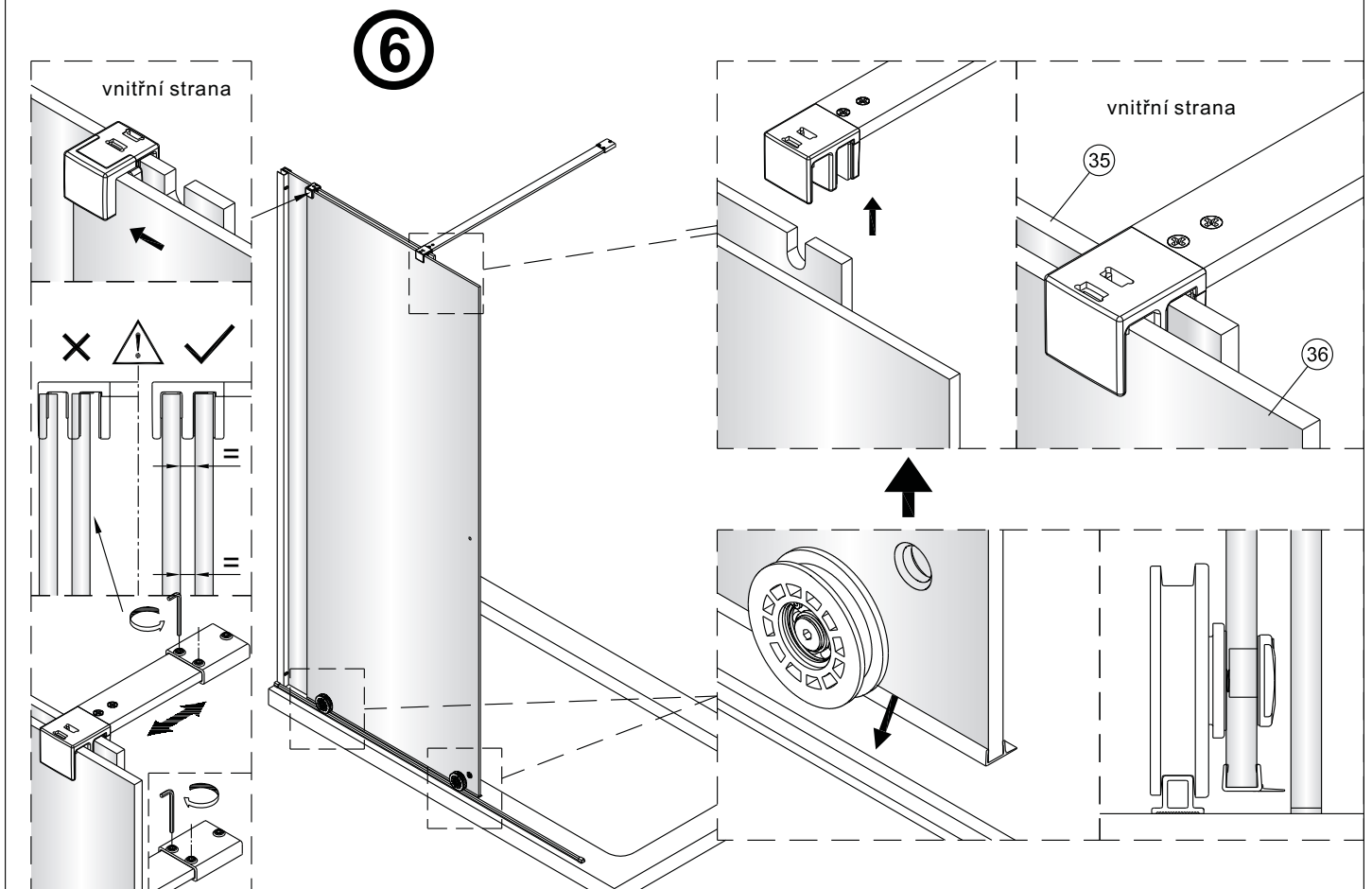
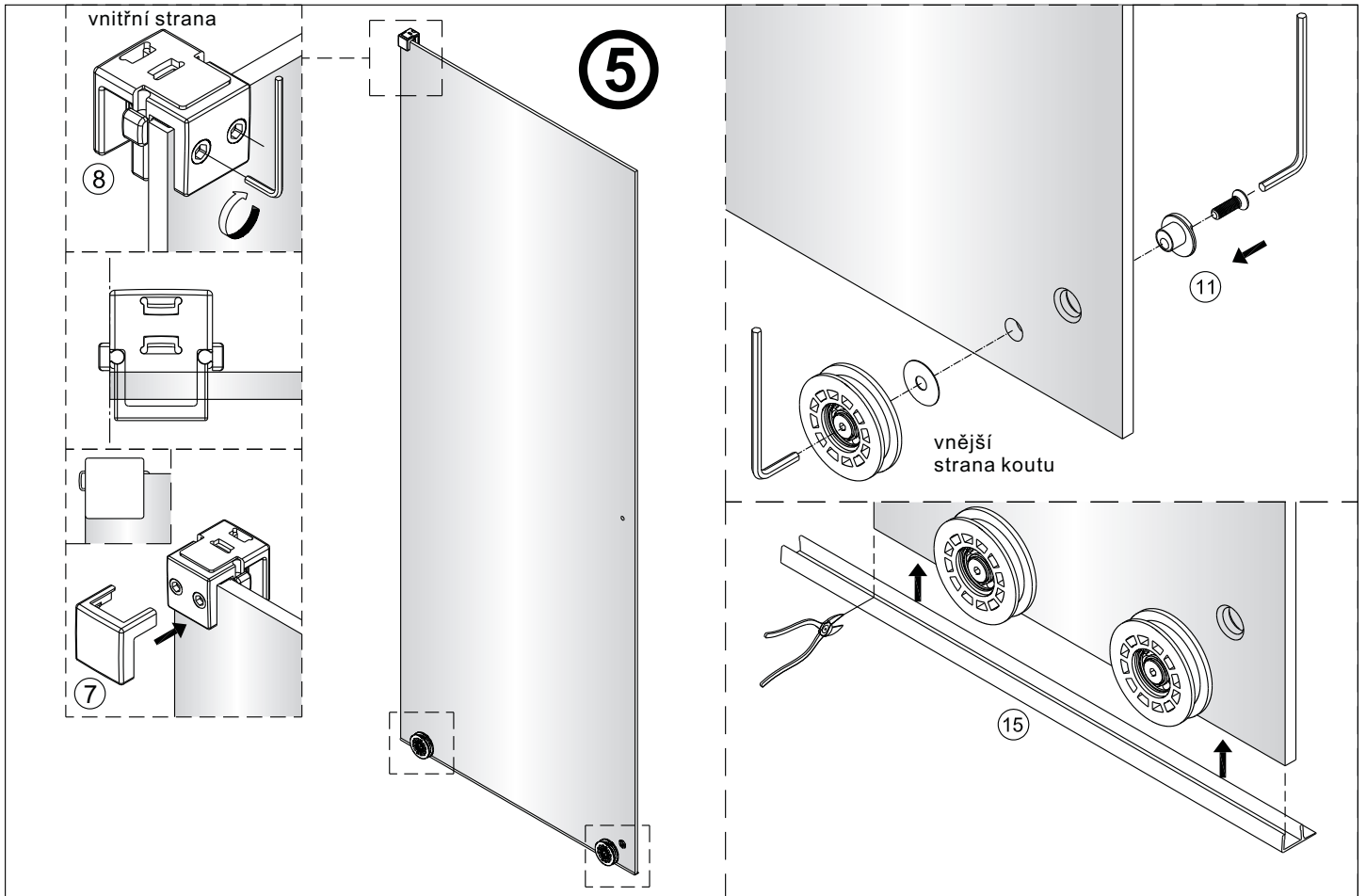
4

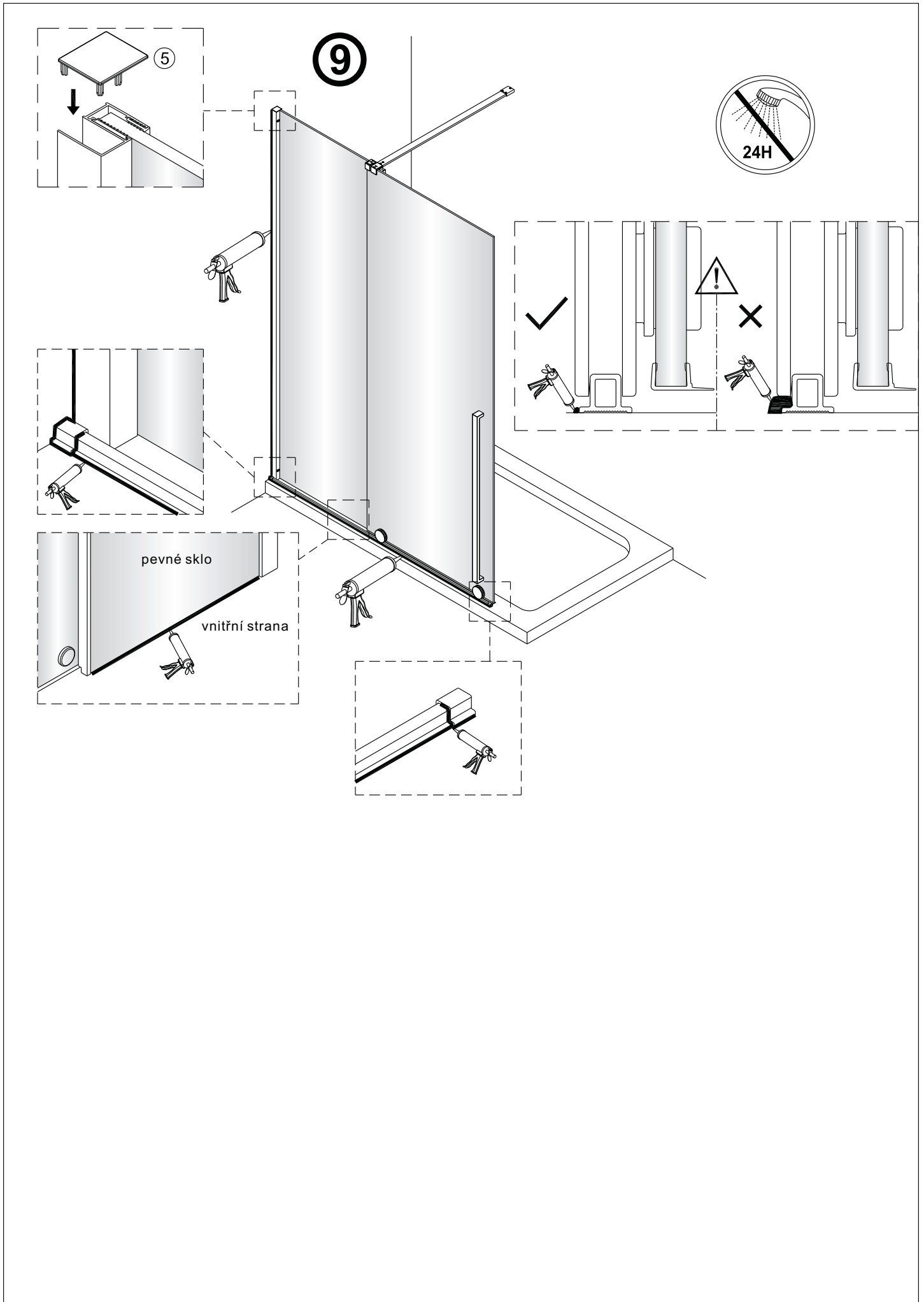


Degrease the bar and floor by No.20.

| | L(mm) |
|-------------|-------|
| SIKOWIXM110 | 1070 |
| SIKOWIXM120 | 1170 |
| SIKOWIXM140 | 1370 |

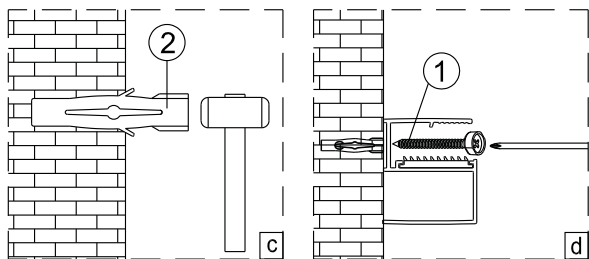
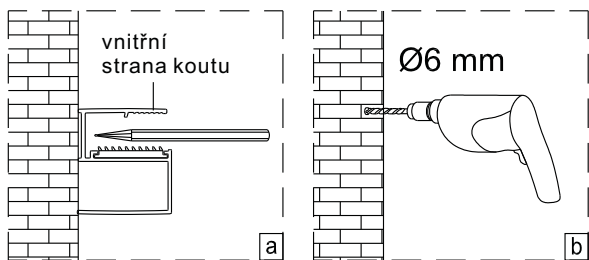




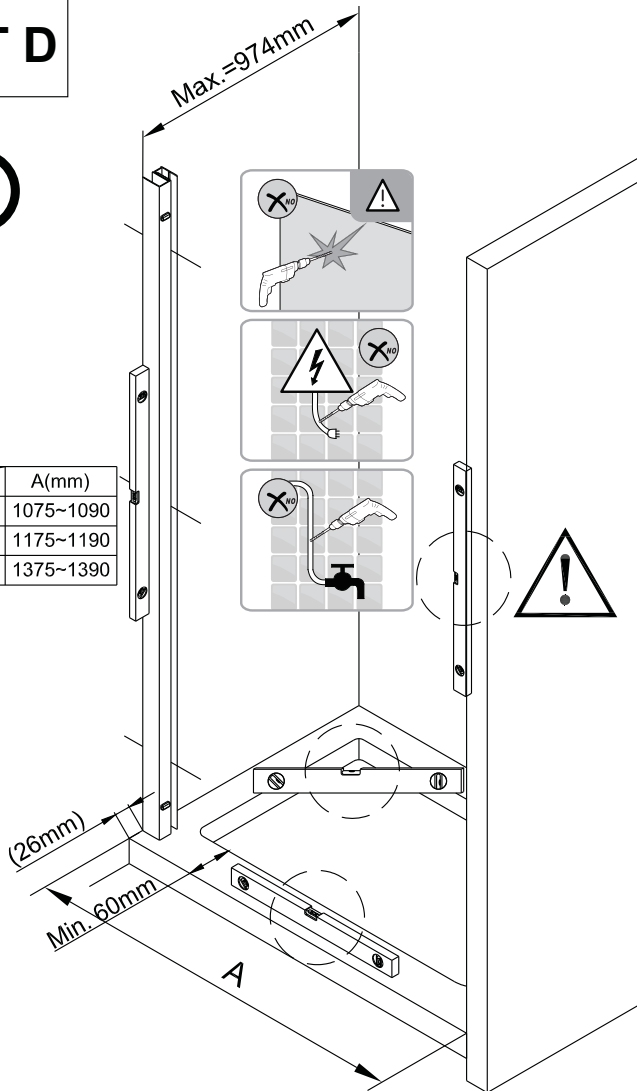
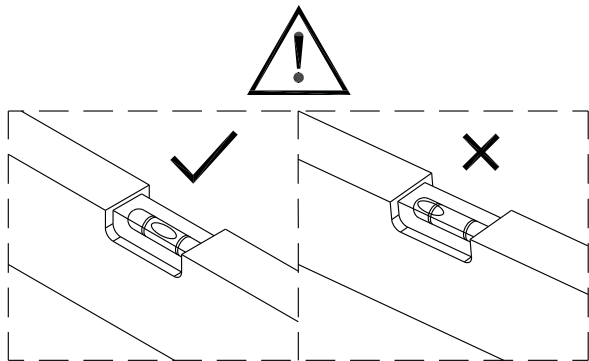


SET D

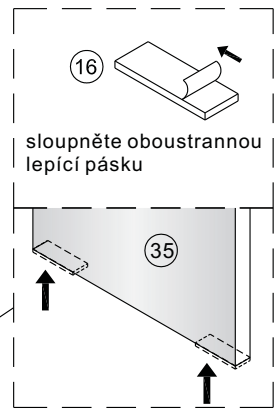
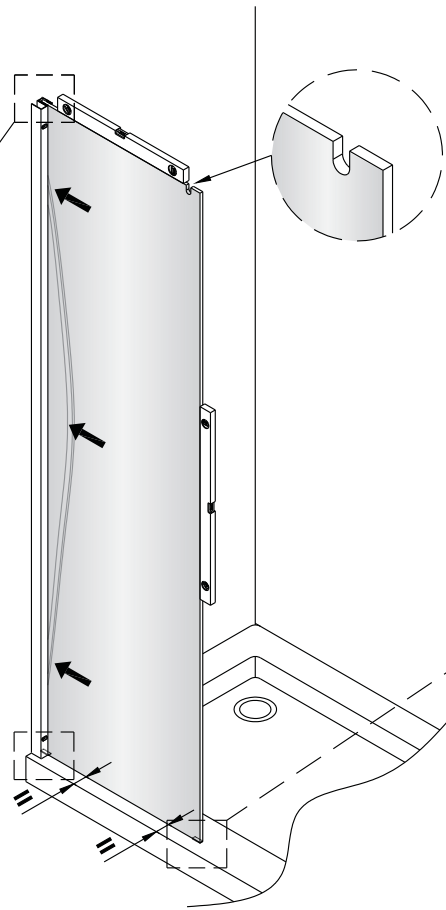
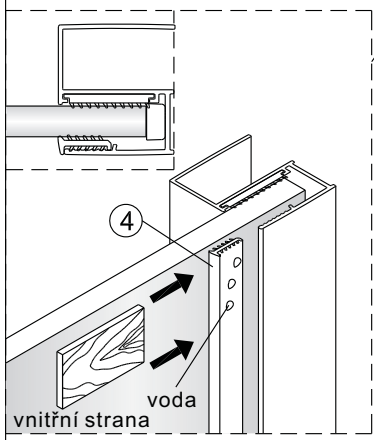
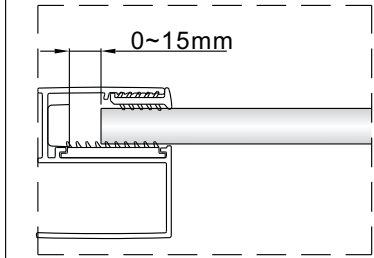
1

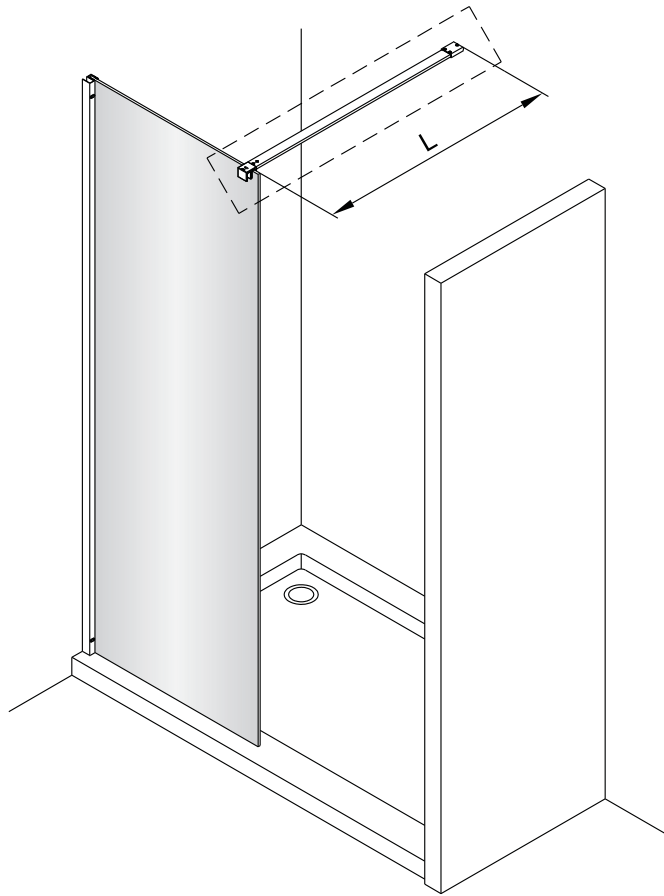


| | A(mm) |
|-------------|-----------|
| SIKOWIXM110 | 1075~1090 |
| SIKOWIXM120 | 1175~1190 |
| SIKOWIXM140 | 1375~1390 |

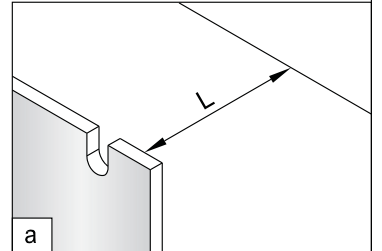


2

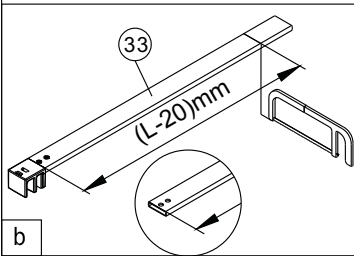




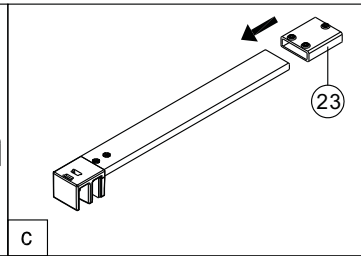
3



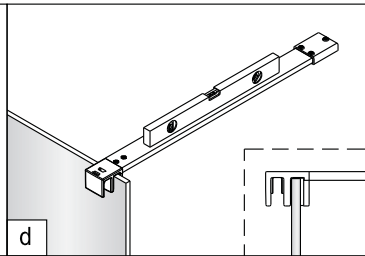
a



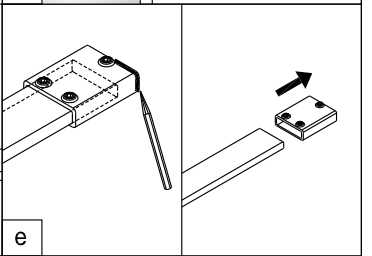
b



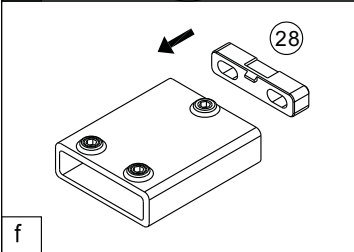
c



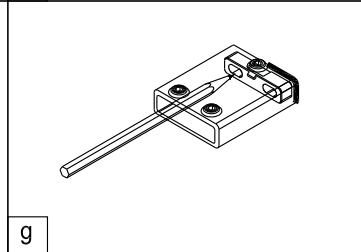
d



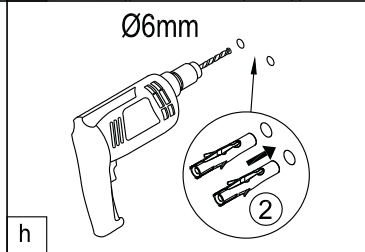
e



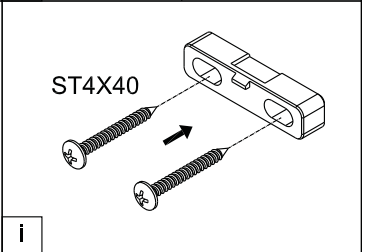
f



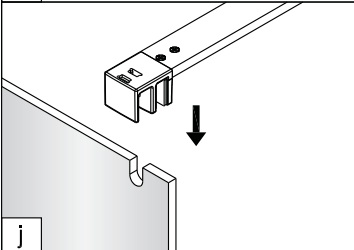
g



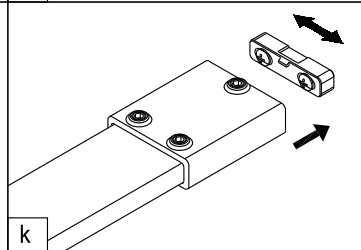
h



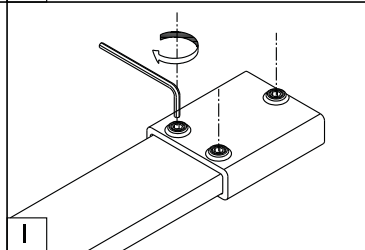
i



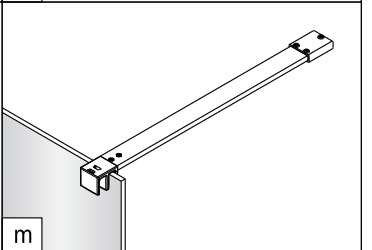
j



k

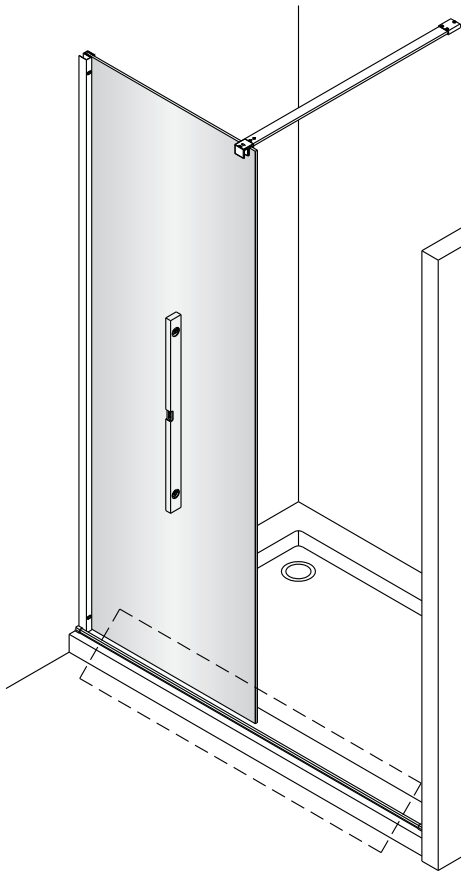


l



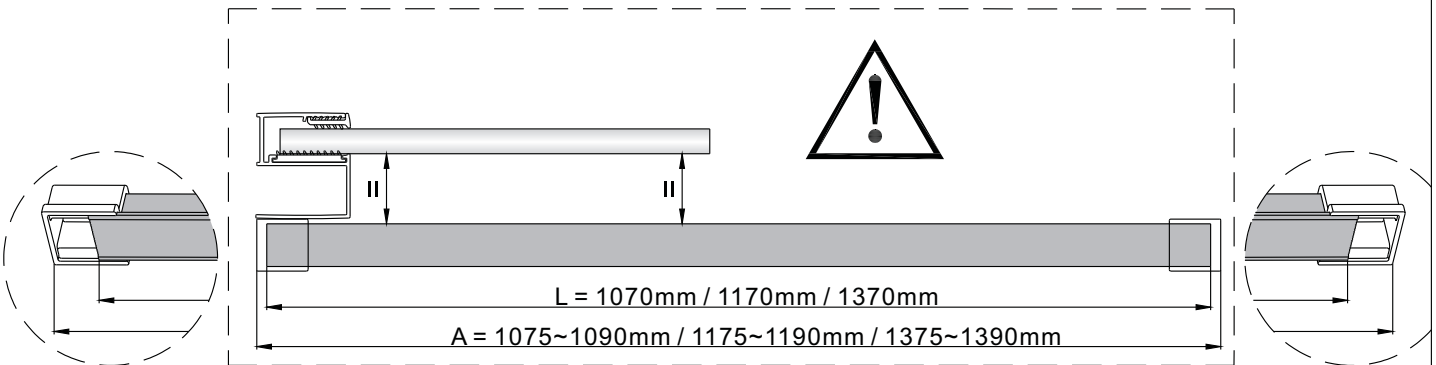
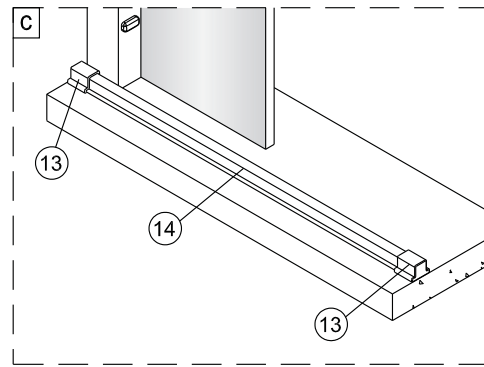
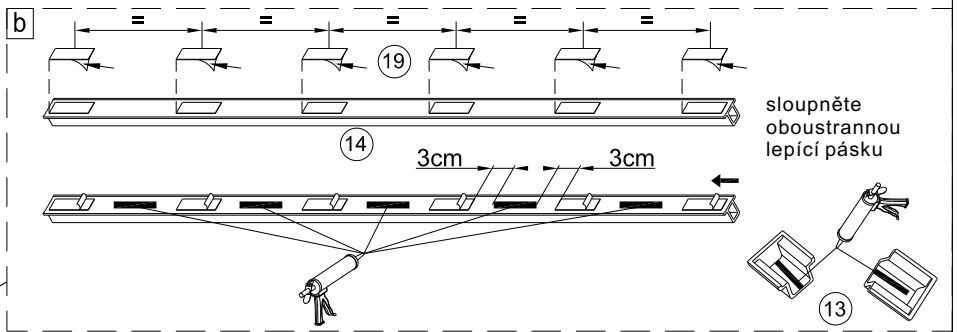
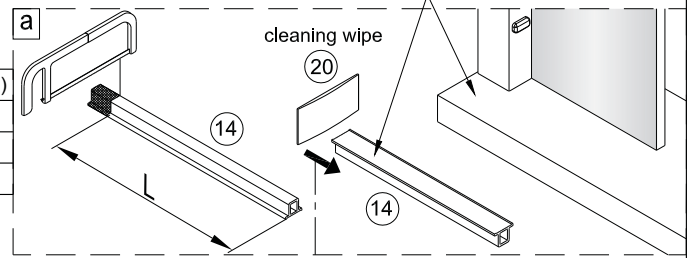
m

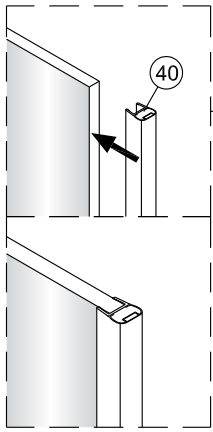
4



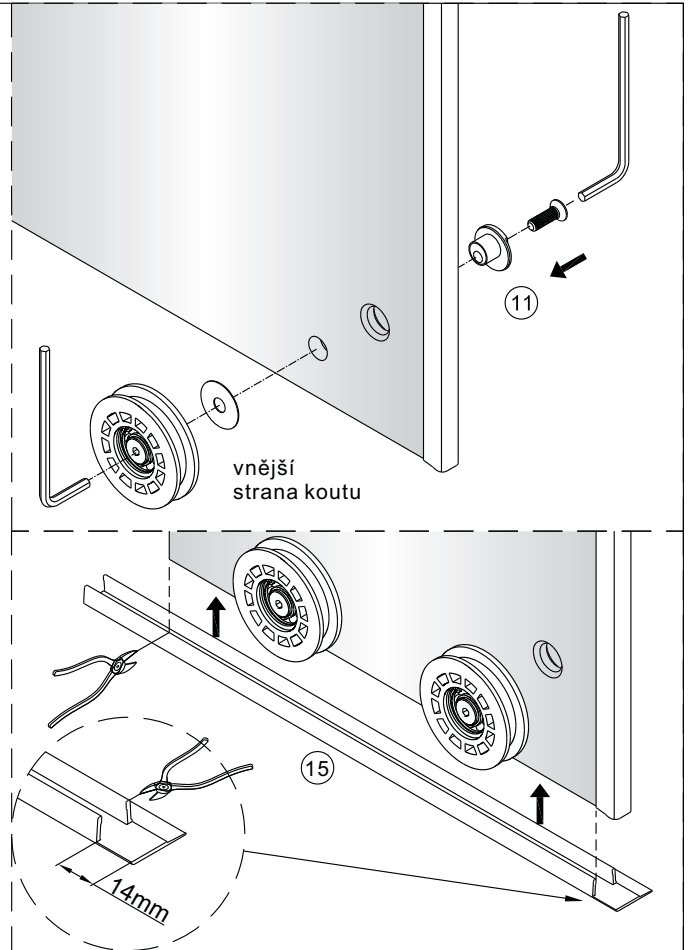
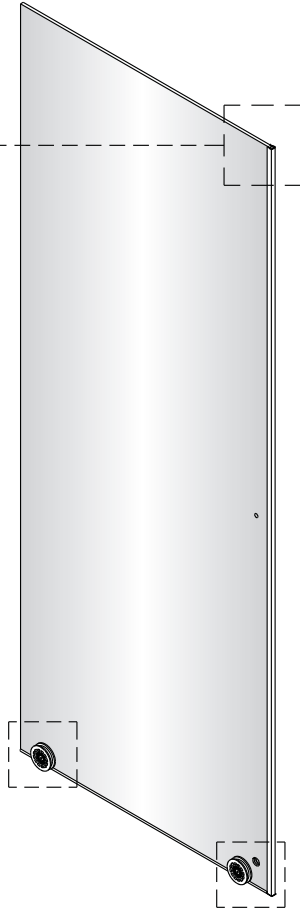
| | L(mm) |
|-------------|-------|
| SIKOWIXM110 | 1070 |
| SIKOWIXM120 | 1170 |
| SIKOWIXM140 | 1370 |

Degrease the bar and floor by No.20.





5



6

