



**SATBSBW271**    **SATBSBW210**  
**SATBSBW285**    **SATBSBW215**  
**SATBSBW185**    **SATBSBW031**  
**SATBSBW268**    **SATBSBW180**  
**SATBSBW222**    **SATBSBW183**



**SATBSBW271**



**SATBSBW285**



**SATBSBW185**



**SATBSBW268**



**SATBSBW222**



**SATBSBW031**



**SATBSBW210**



**SATBSBW215**

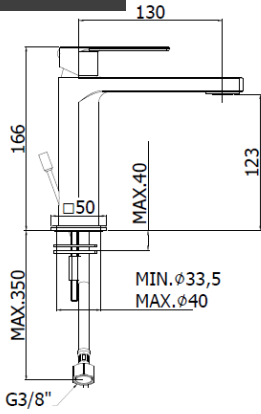


**SATBSBW180**

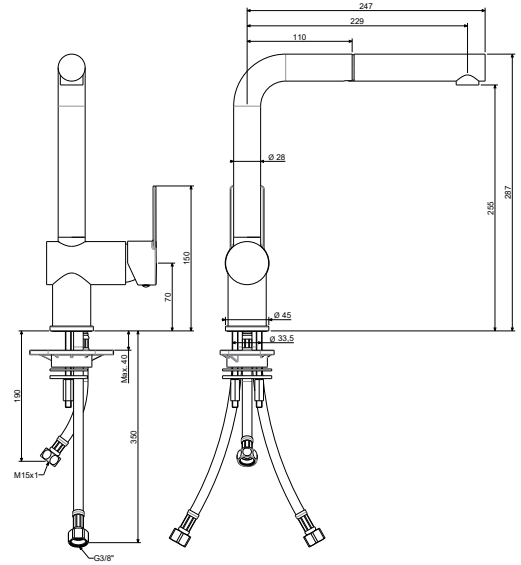


**SATBSBW183**

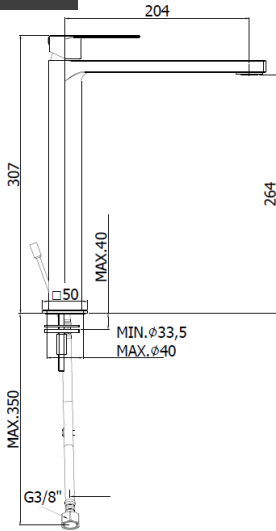
### SATBSBW271



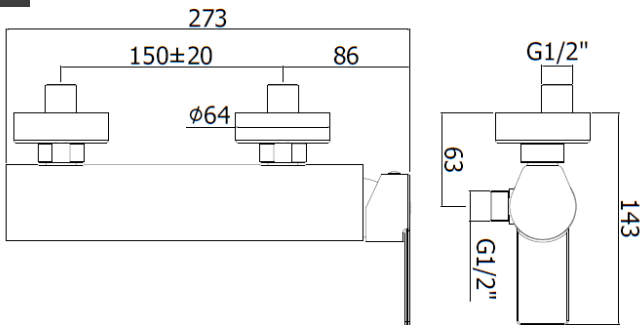
### SATBSBW185



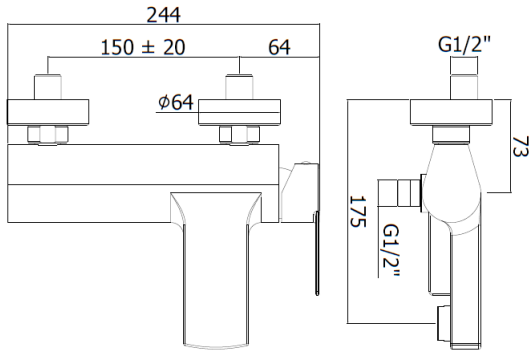
### SATBSBW285



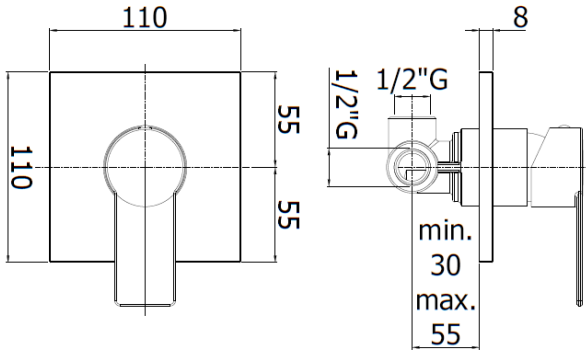
### SATBSBW268



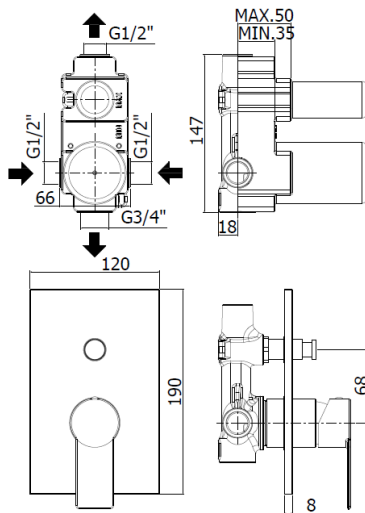
**SATBSBW222**

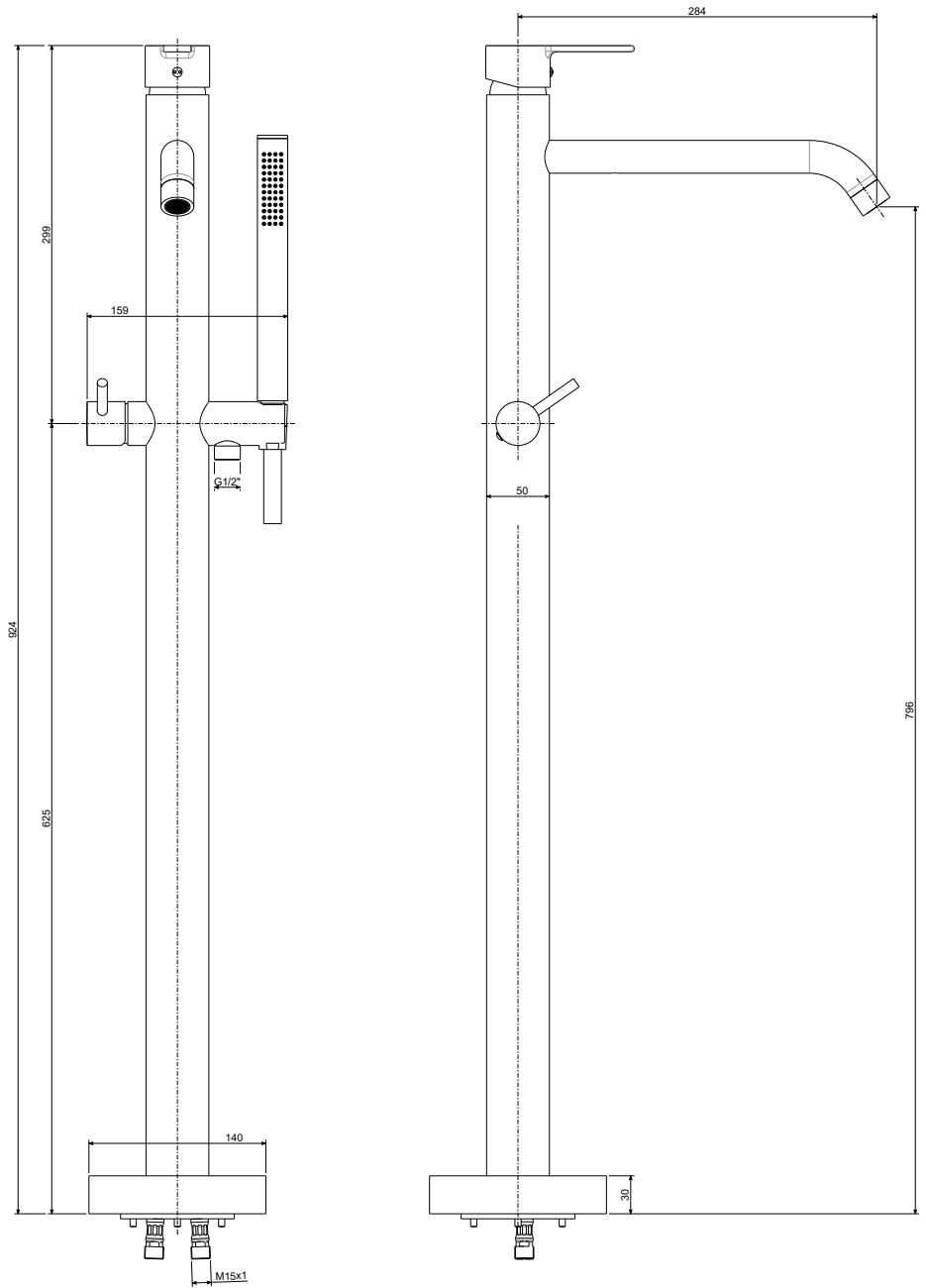


**SATBSBW210**

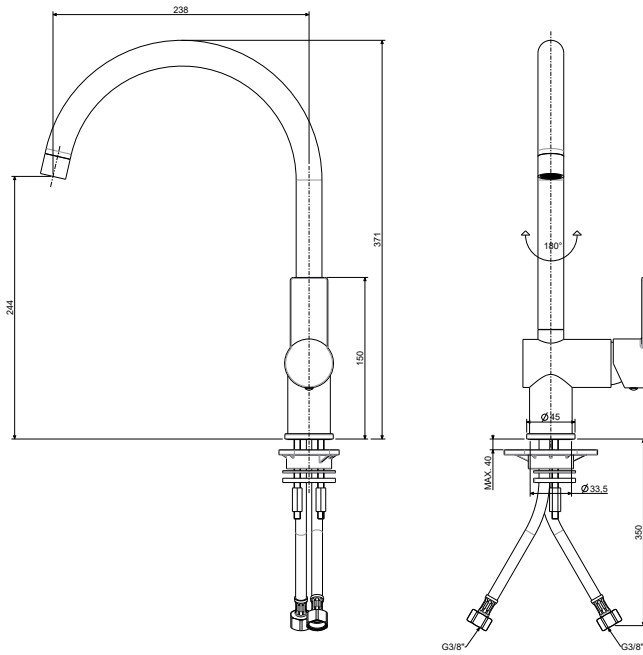


**SATBSBW215**

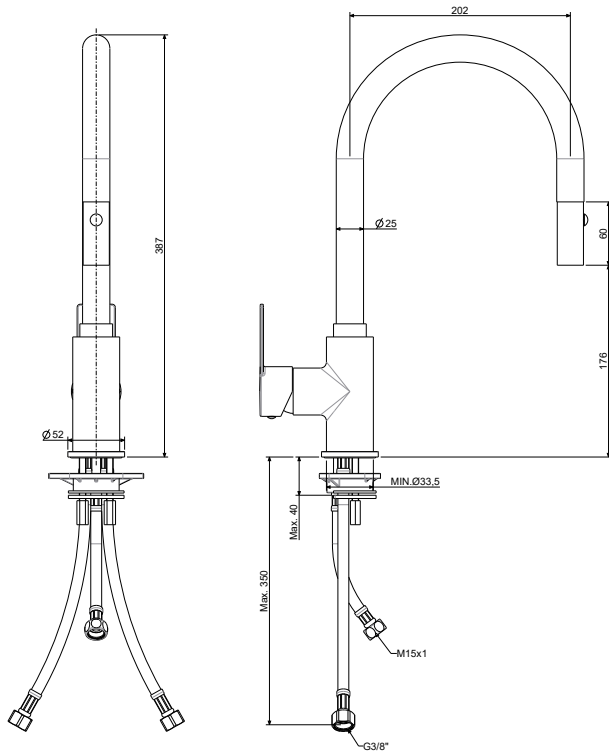


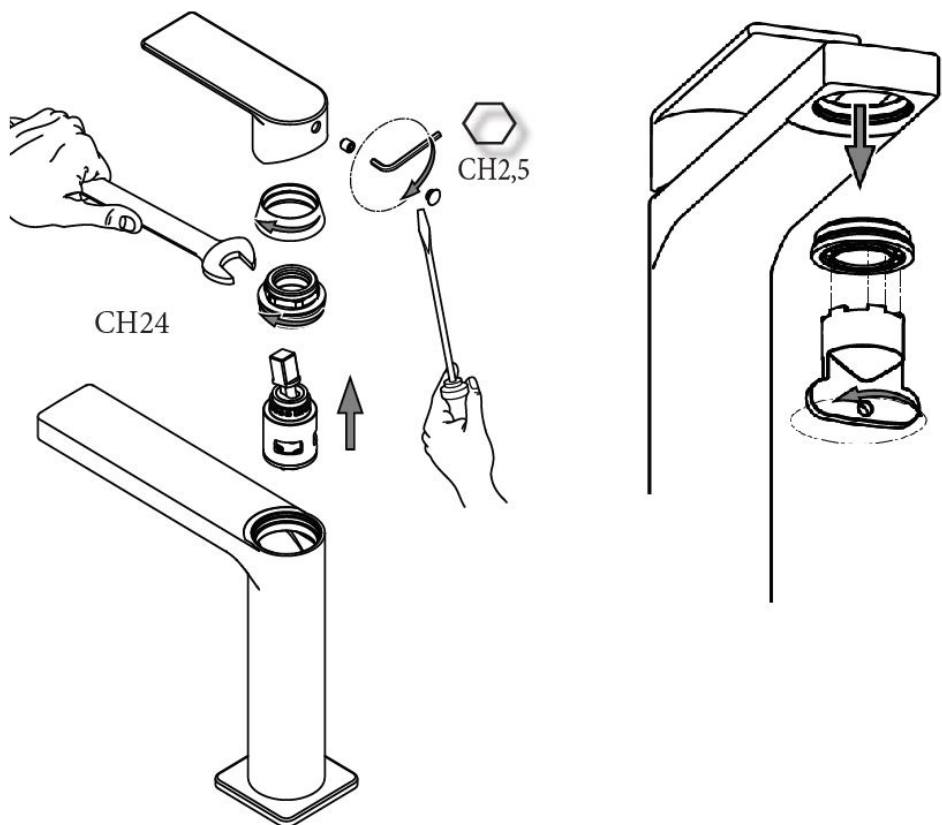


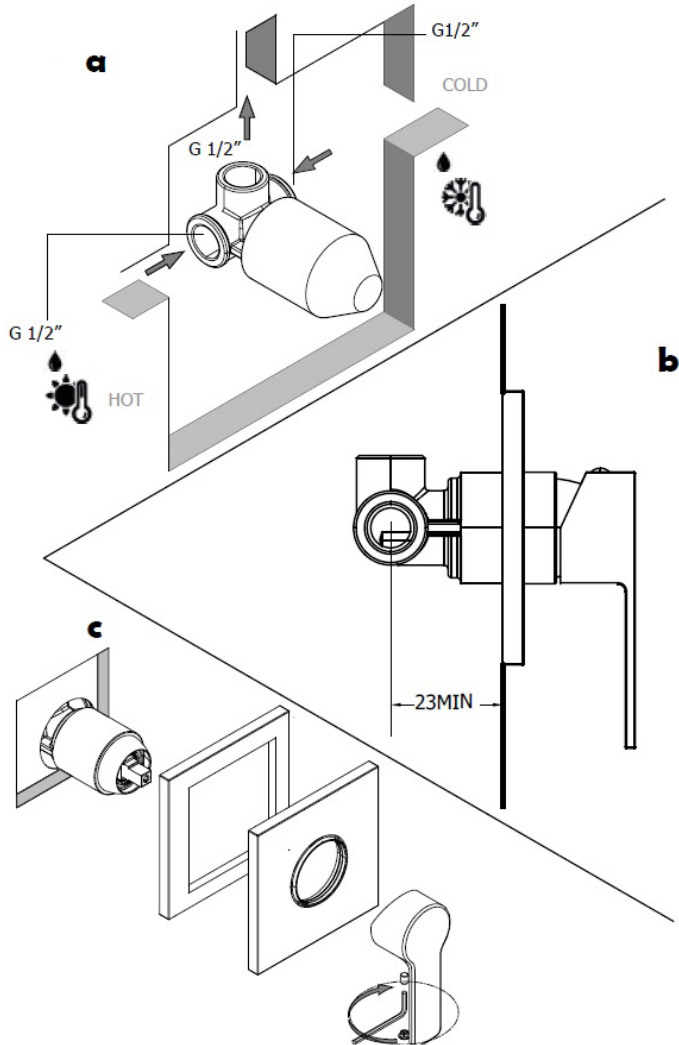
# SATBSBW180

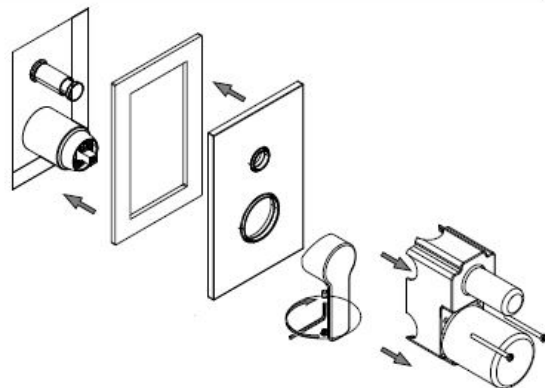
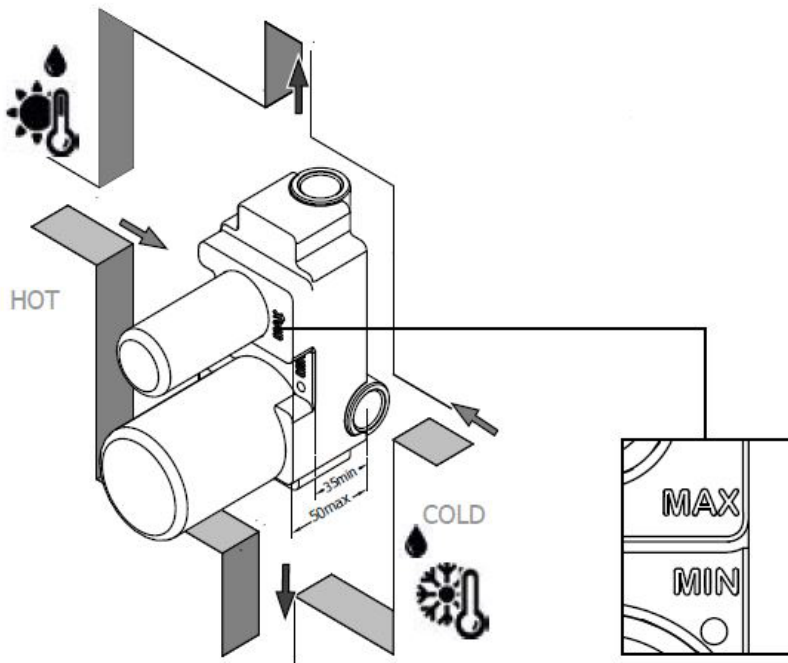


# SATBSBW183

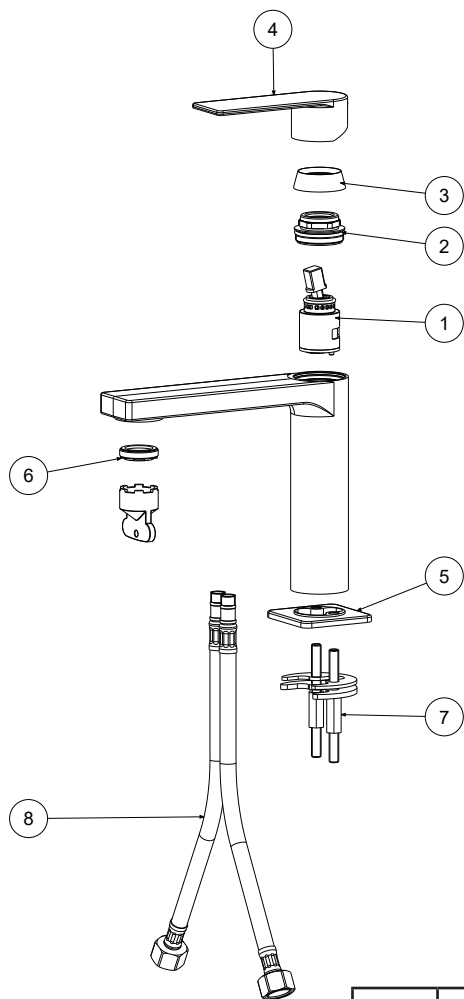




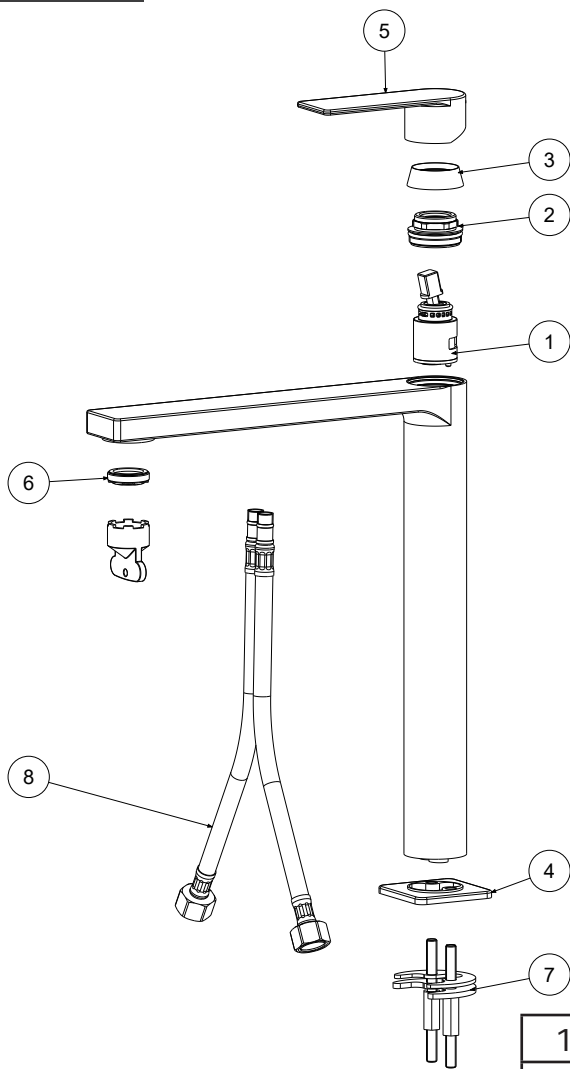




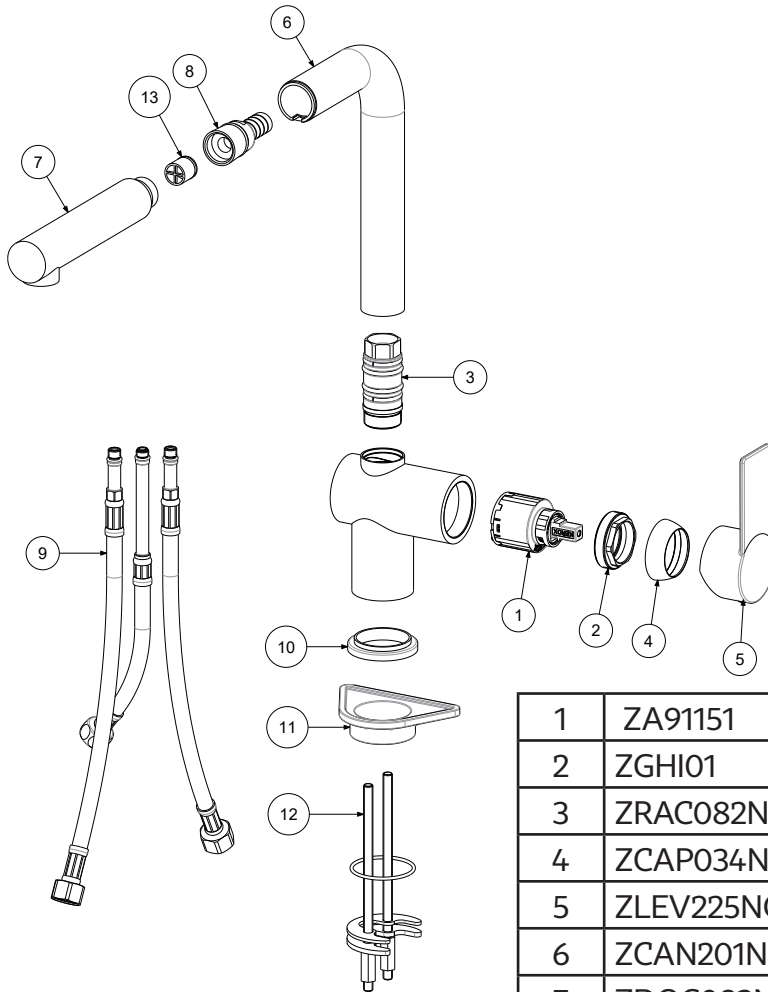




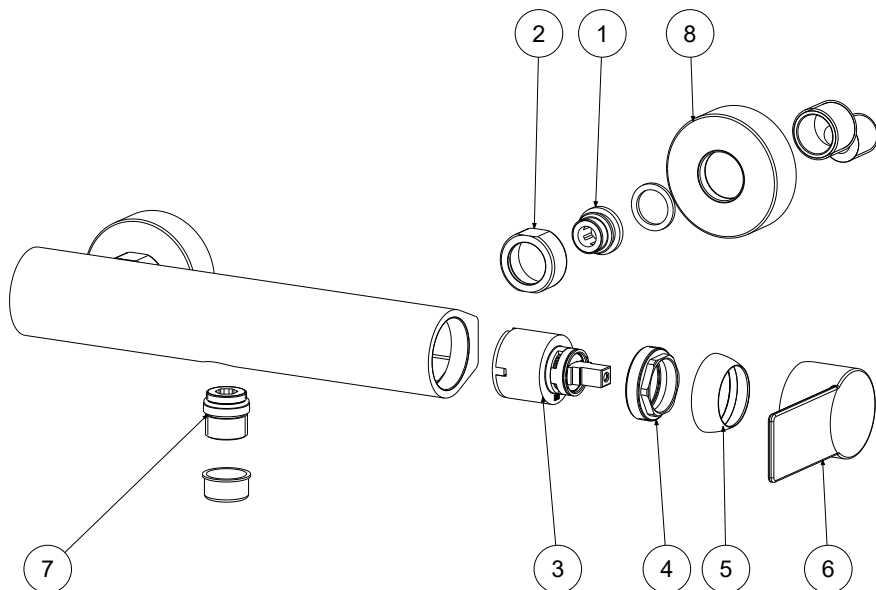
1	ZA91140
2	ZGHI011
3	ZCAP062NO
4	ZLEV180NO
5	ZBAS109NO
6	ZAER090
7	ZFIS004
8	ZFLX102



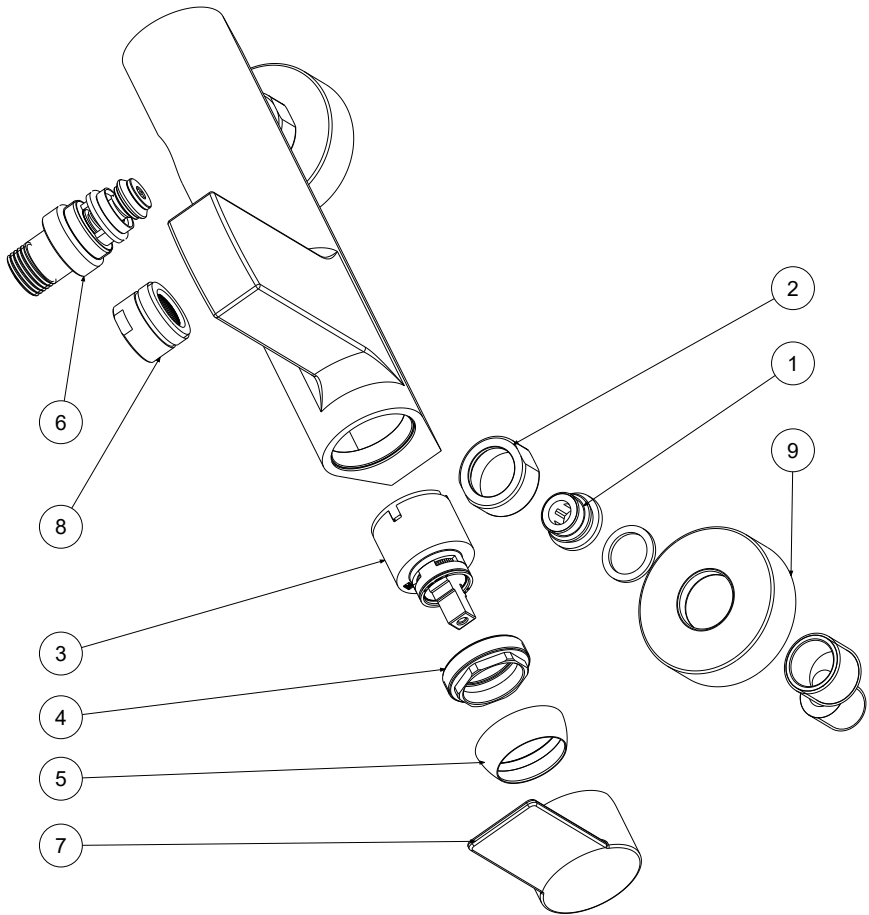
1	ZA91140
2	ZGHI011
3	ZCAP062NO
4	ZBAS109NO
5	ZLEV180NO
6	ZAER090
7	ZFIS004
8	ZFLX102



1	ZA91151
2	ZGHI01
3	ZRAC082NO
4	ZCAP034NO
5	ZLEV225NO
6	ZCAN201NO
7	ZDOC083NO
8	ZFLO063NO
9	ZFLX095NO
10	ZBAS082NO
11	ZACC258
12	ZFIS068/140
13	ZACC146

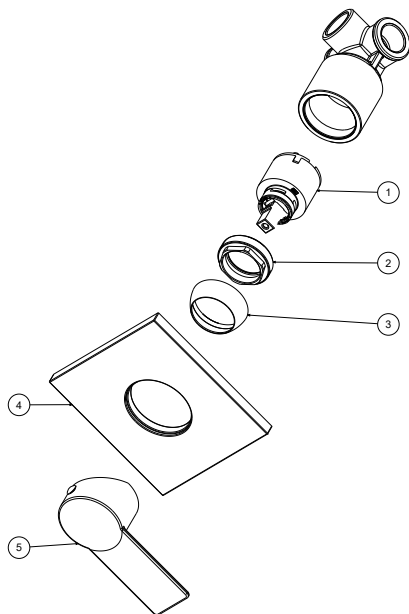


1	ZSED001NO
2	ZCAL007NO
3	ZA91104R
4	ZGHI010
5	ZCAP034NO
6	ZLEV179NO
7	ZRAC022NO
8	ZECC029NO



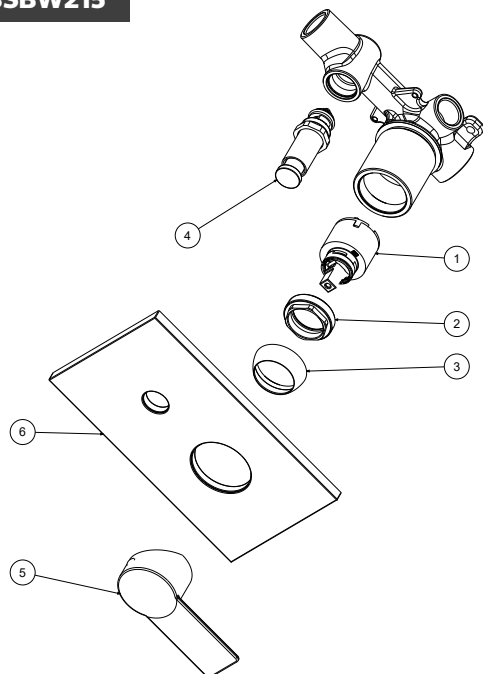
1	ZSED001NO
2	ZCAL007NO
3	ZA91104R
4	ZGHI010
5	ZCAP034NO
6	ZDEV003NO
7	ZLEV179NO
8	ZAER003NO
9	ZECC029NO

## SATBSBW210



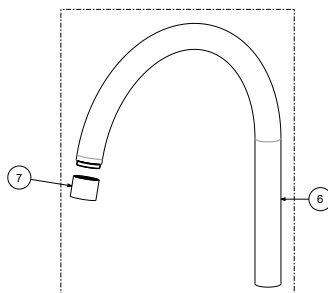
1	ZA91104R
2	ZGHI010
3	ZCAP034NO
4	ZPIA026NO
5	ZLEV179NO

## SATBSBW215

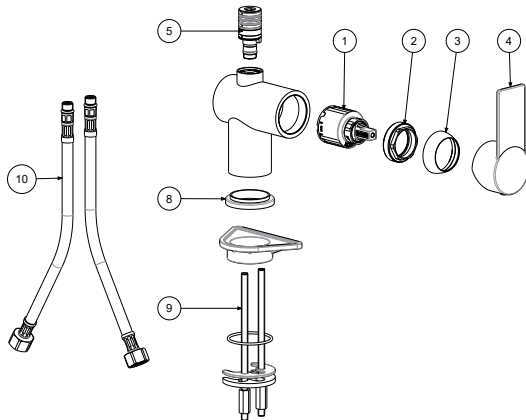


1	ZA91104R
2	ZGHI010
3	ZCAP034NO
4	ZDEV048NO
5	ZLEV179NO
6	ZPIA027NO

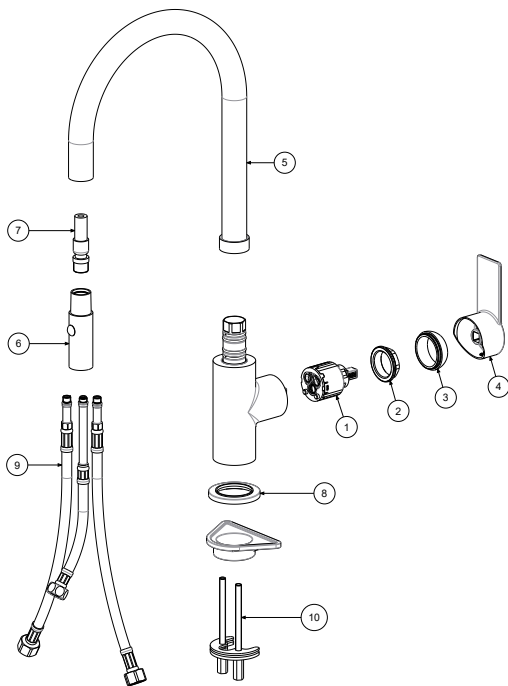
**SATBSBW180**



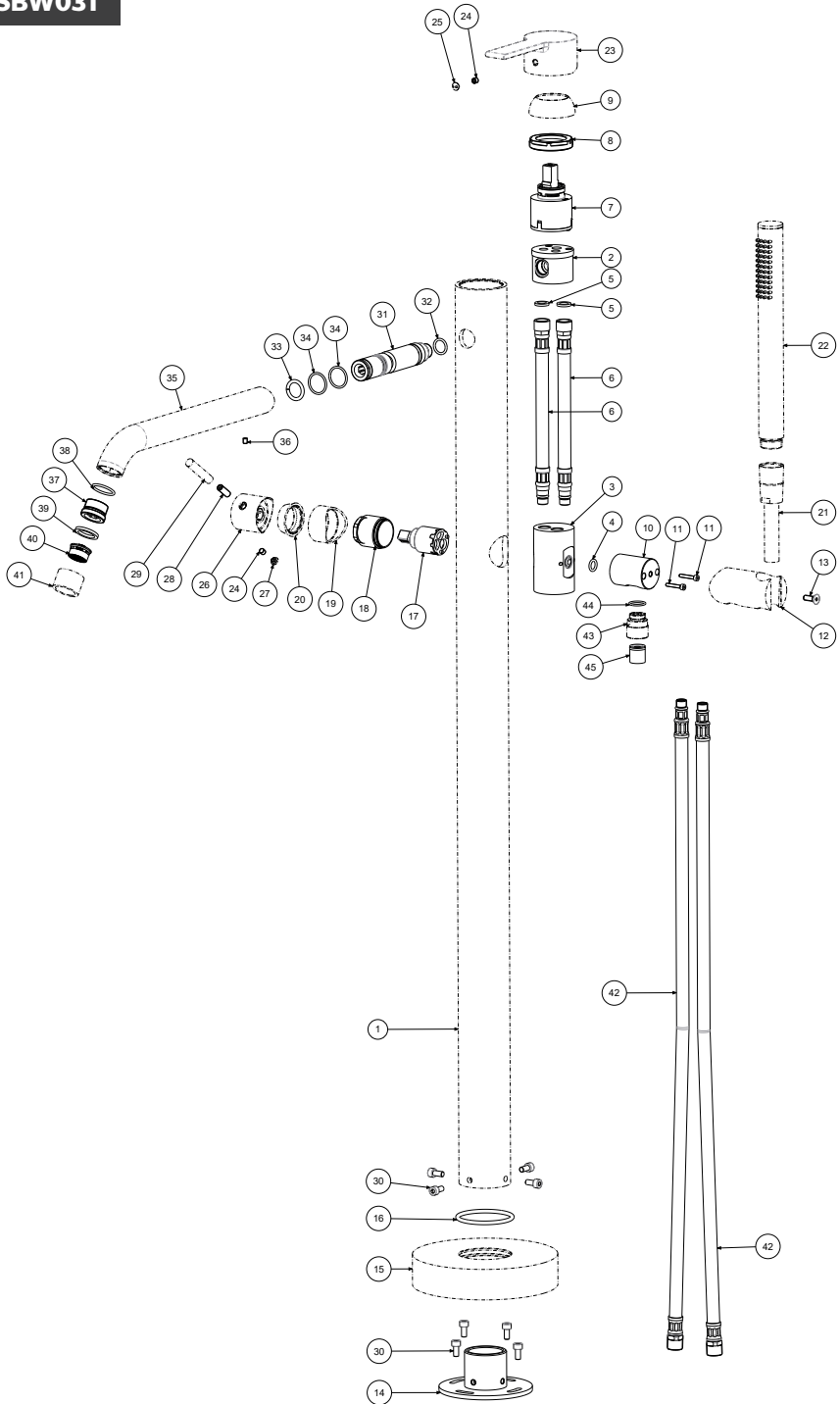
1	ZA91151
2	ZGHI010
3	ZCAP034NO
4	ZLEV225NO-SI
5	ZRAC078NO
6	ZCANA109NO
7	ZAER033NO
8	ZBAS082NO
9	ZFIS008/140



**SATBSBW183**



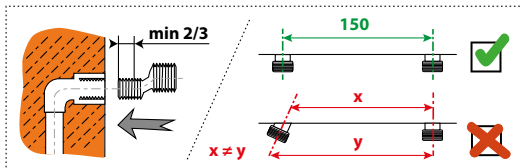
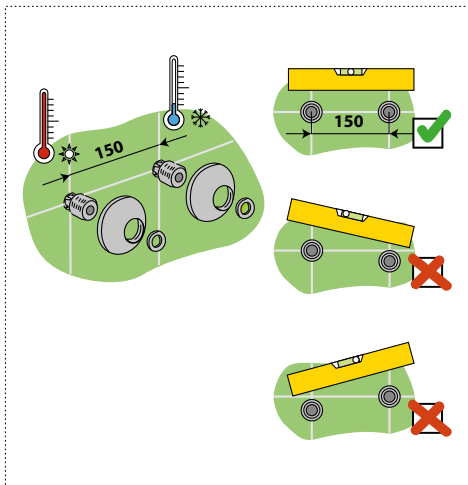
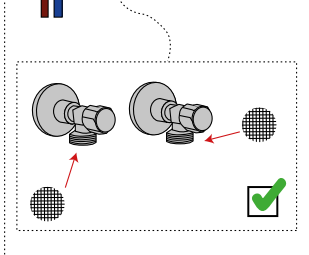
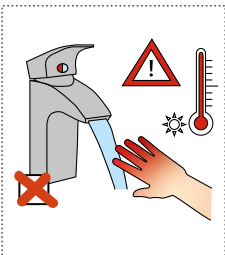
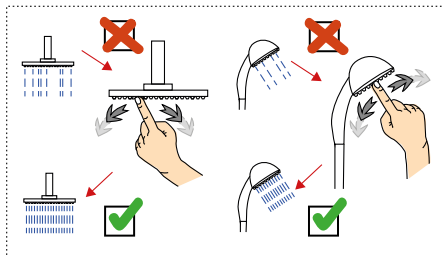
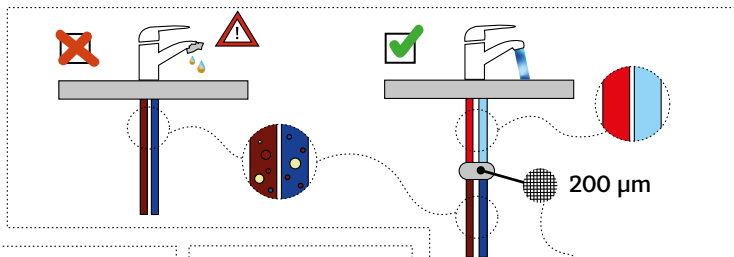
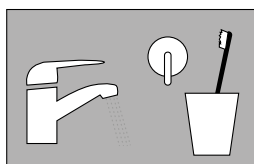
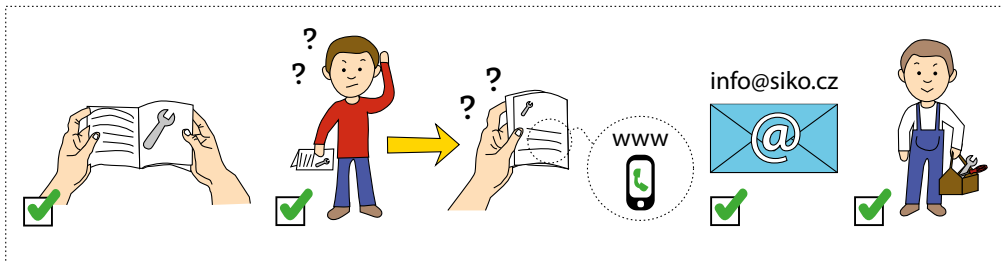
1	ZA91151
2	ZGHI003
3	ZCAP010NO
4	ZLEV225NO-SI
5	ZCAN081NO
6	ZDOC090NO
7	ZFLO065NO
8	ZBAS038NO
9	ZFLX095NO
10	ZFIS107





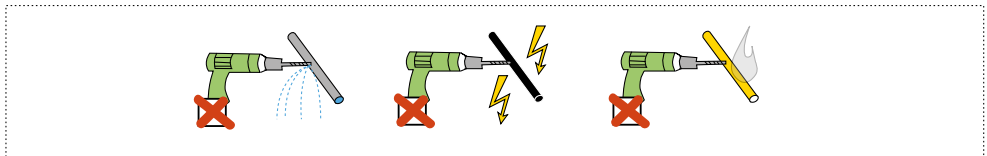
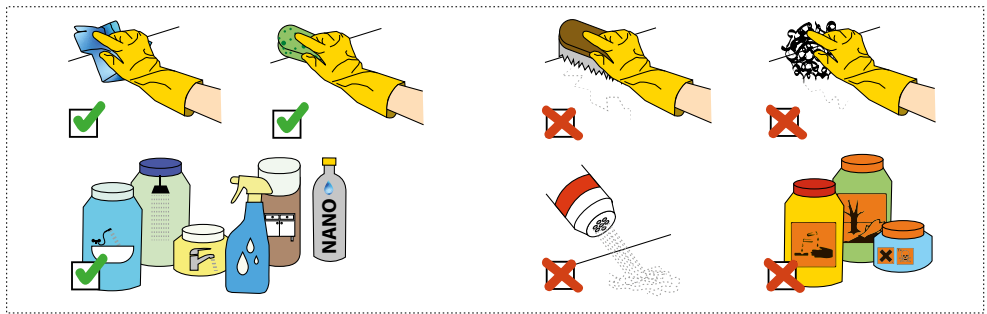
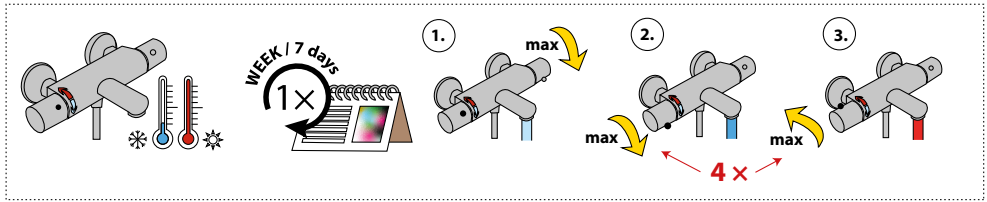
1	2042138GR	NO
2	2042165GR	GR
3	2042209GR	CR
4	2092286	
5	2091308	
6	4071890CRPX	CR
7	4071077	
8	1000102GR	GR
9	1000146GR	NO
10	2042149GR	CR
11	2051407	GR
12	2042150GR	NO
13	2042162GR	GR
14	2042153GR	CR
15	2042155GR	NO
16	2092471	
17	4071433	
18	2042145GR	CR
19	2042146GR	NO
20	2042147GR	NO
21	4071676NO-OR	NO
22	4071419CR	NO
23	4061303CR	NO
24	2051108GR	GR
25	2091105NE-RB	NE

26	2042148GR	NO
27	2091105NE	NE
28	2051272GR	CR
29	2042534GR	NO
30	2042254GR	GR
31	2042140GR	GR
32	2092145	
33	2091011_	
34	2092232	
35	2081218GR	NO
36	2042086GR	GR
37	2042361GR	GR
38	2092034	
39	2091414	
40	2091104	
41	1000176GR	NO
42	4071855CRPX	
43	2042152GR	NO
44	2092166	
45	2051022	



	<b>P</b> P bar	max 10,0 min 1,0	5
	<b>T</b> C°	max 80°	65° 40°

SATBSBW271/SATBSBW285/SATBSBW185/SATBSBW268/SATBSBW222/  
 SATBSBW210/SATBSBW215/SATBSBW031/SATBSBW180/SATBSBW183



SAT® is registered trademark of



**Swiss  
Aqua  
Technologies**

**Swiss Aqua Technologies AG**  
Gewerbstrasse 9, 6330 Cham, Switzerland  
[www.swatec.ch](http://www.swatec.ch)  
Imported by SIKO KOUPELNY a.s.  
Made in Italy