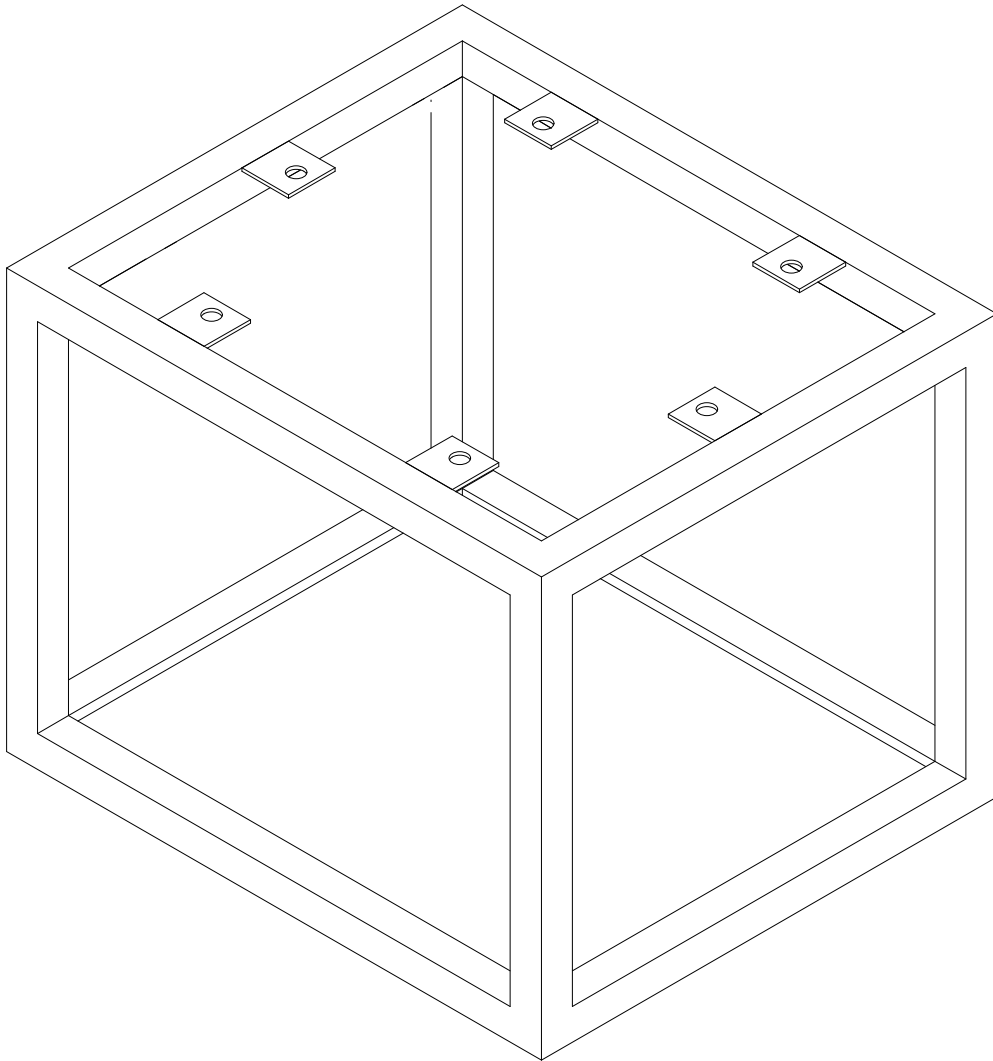


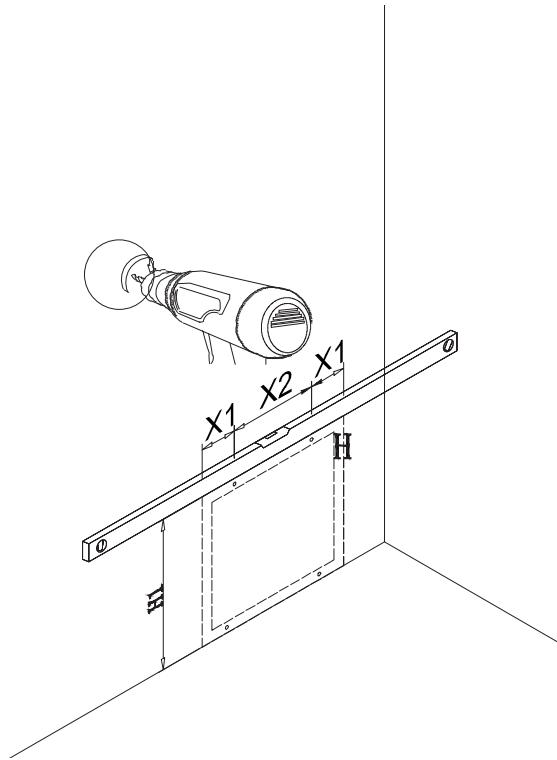
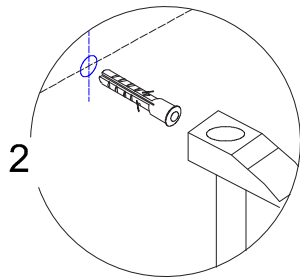
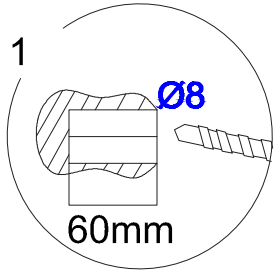
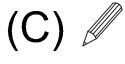


SAT

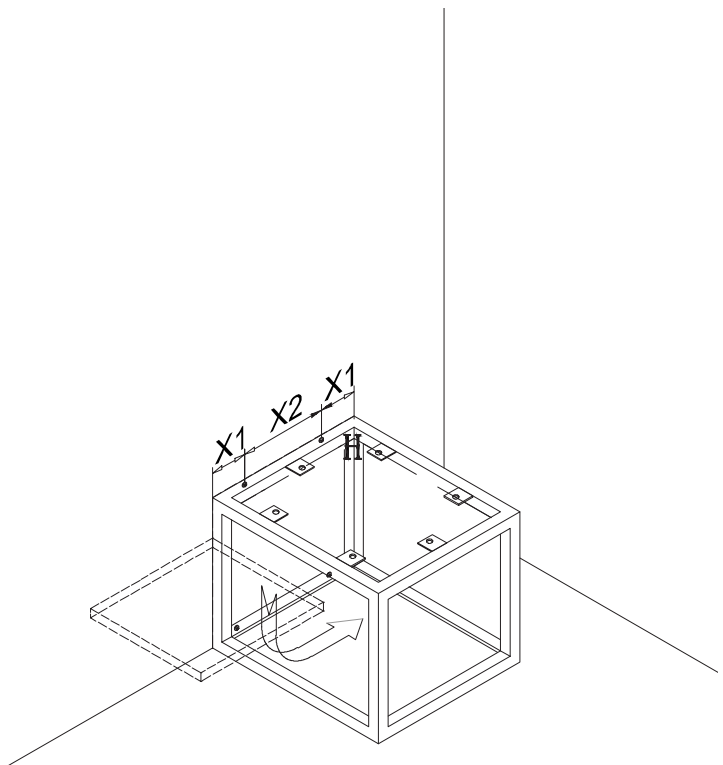
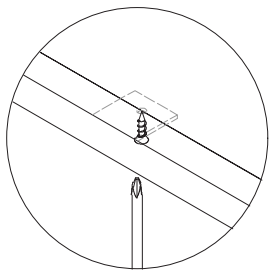
BWAY35FRAME




1

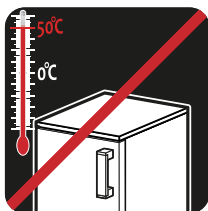
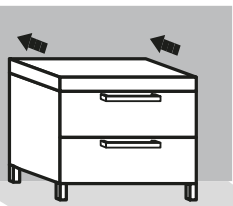
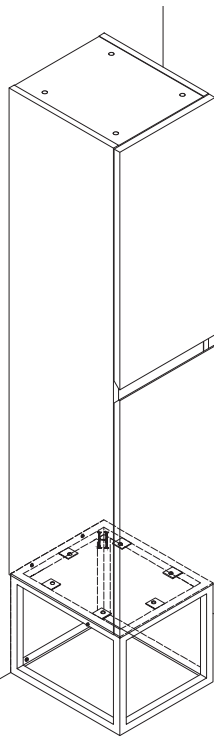
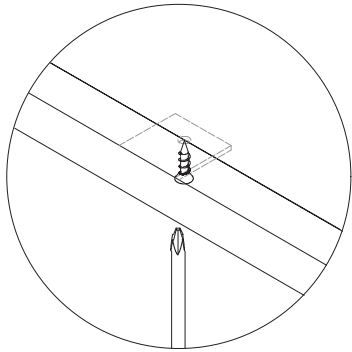


2



3

(d) 



SAT® is registered trademark of



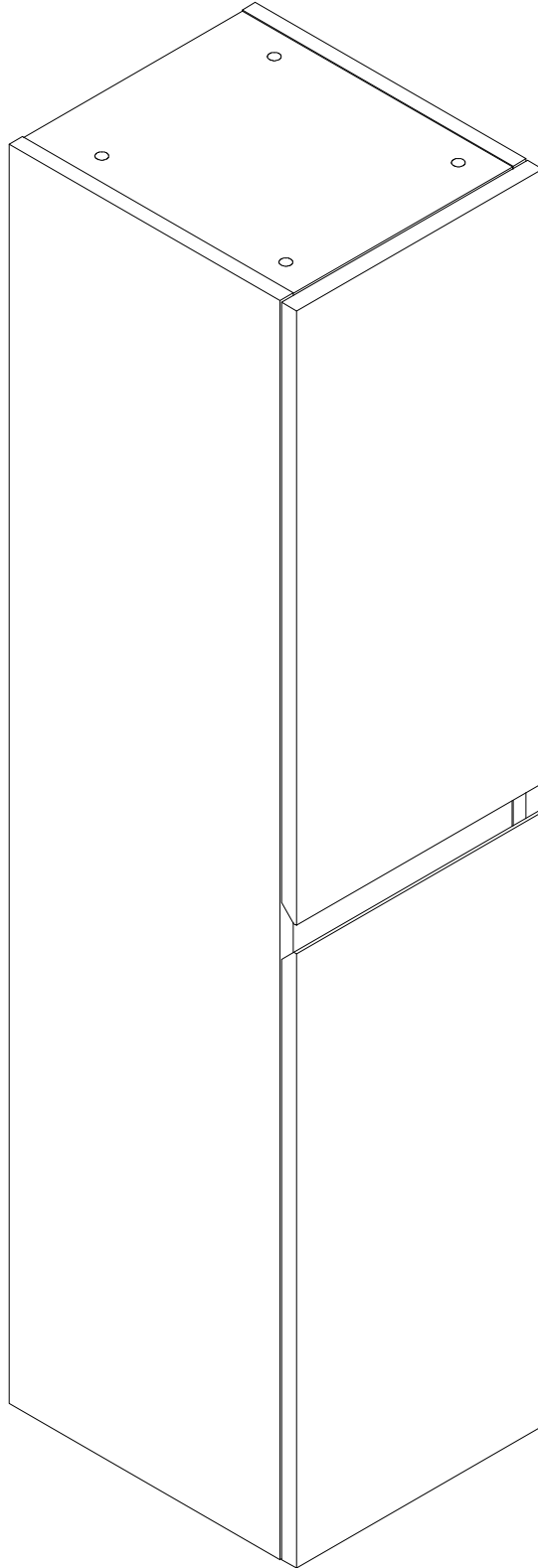
**Swiss
Aqua
Technologies**

Swiss Aqua Technologies AG
Gewerbstrasse 9, 6330 Cham, Switzerland
www.swatec.ch
Imported by SIKO KOUPELNY a.s.
Made in P.R.C.

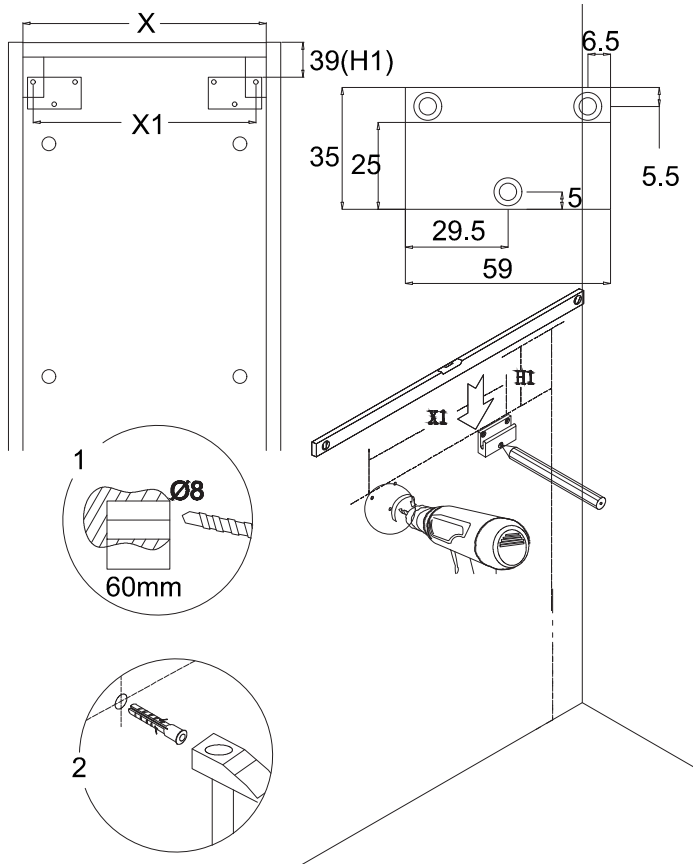
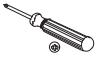
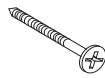


SAT

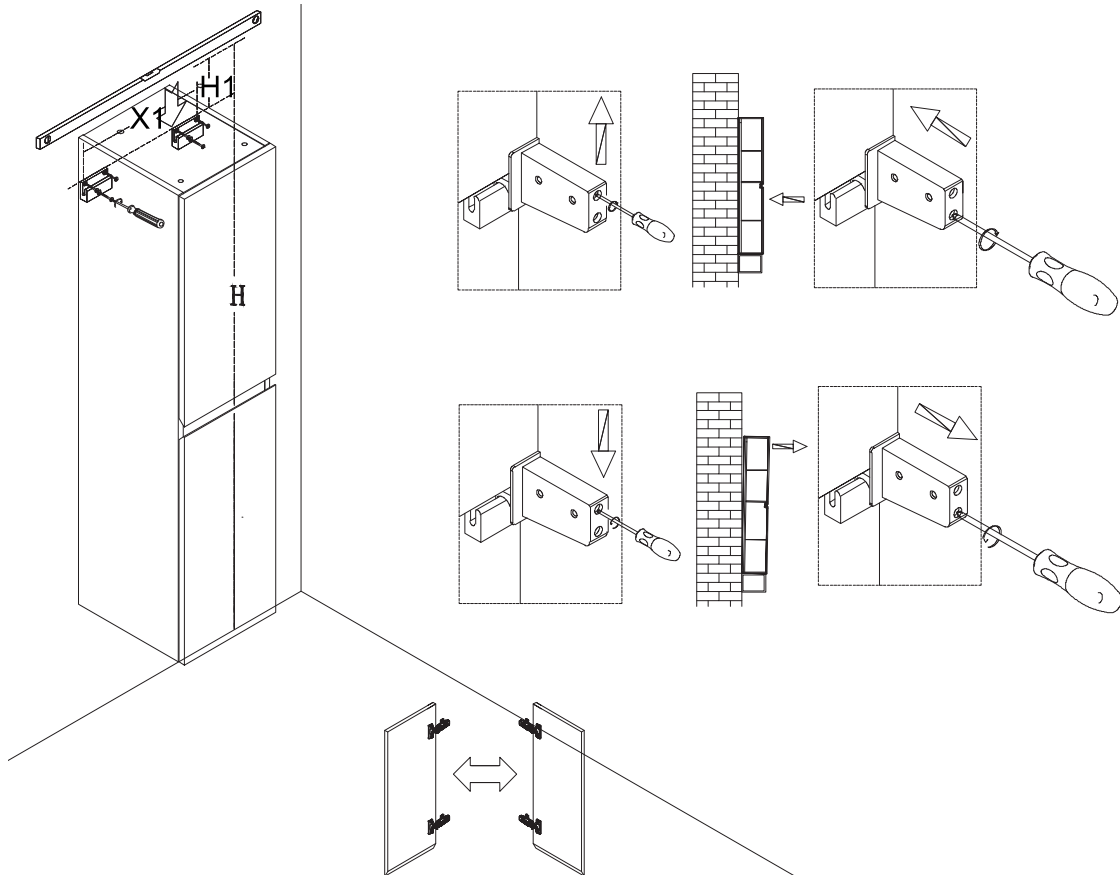
BWAY35W
BWAY35OAK

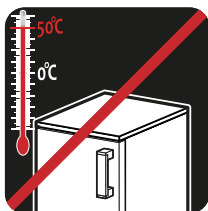
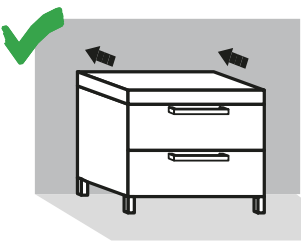
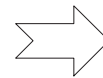
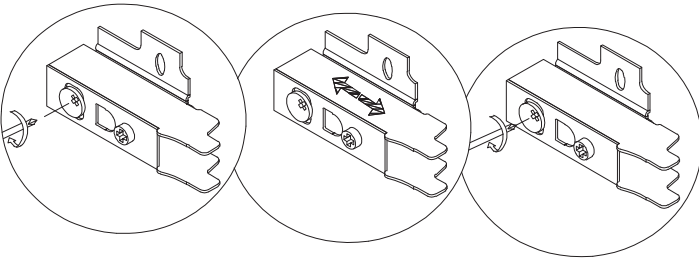
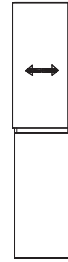
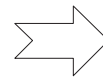
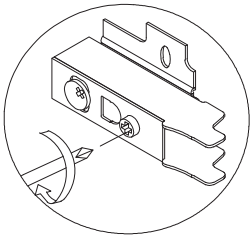
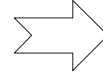
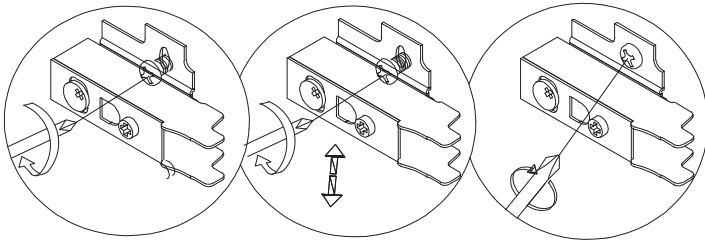


1



2





SAT® is registered trademark of



**Swiss
Aqua
Technologies**

Swiss Aqua Technologies AG
Gewerbstrasse 9, 6330 Cham, Switzerland
www.swatec.ch
Imported by SIKO KOUPELNY a.s.
Made in P.R.C.