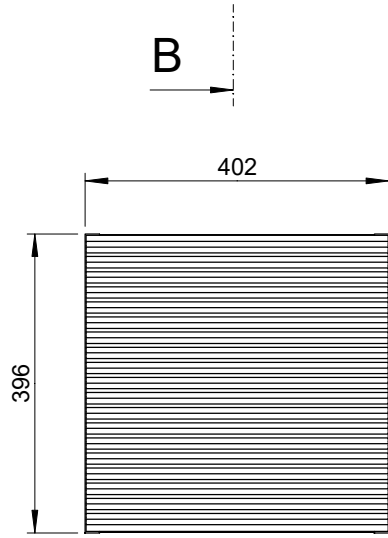
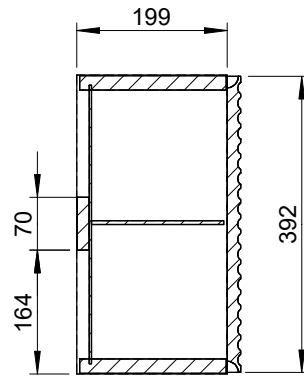


A



B - B



B

C

